

[Water Heating](#)

[Appliances](#)

[DC Appliances](#)

[Lighting](#)

[Heating](#)

[Pool Heater](#)

[Cooling](#)

[Water Treatment](#)

[Air Purifiers](#)

[Composting](#)

[Battery Chargers](#)

[Cell Phone
Accessories](#)

[Alternative Energy](#)

[Wind Energy](#)

[Marine Supplies](#)

[Back Up Power](#)

[Portable Generators](#)

[Solar Products](#)

[Inverters](#)

[Deep Cycle Batteries](#)

[Clearance Items](#)

[Gift Ideas](#)

[Outdoor
Recreational](#)

[Clearance Items](#)

[Shipping Policy](#)

[Return Policy](#)

[International Sales](#)

5% Discount On Every E-Commerce Order!
Online orders only. 5% Discount will be applied at time of processing.
Thermo Control Wood Burning Systems
Please Allow 3 - 4 Weeks for Delivery

Thermo-Control stoves provided you with one of the best wood heating systems at an extremely reasonable price.

Thermo-Control Wood Burning Systems are the ultimate in efficiency and versatility. The automatic thermostat control guarantees a constant, even temperature for 12 to 15 hours.



Pictured: TC 500B & TCB 400 Wood Stoves
Please Allow 3 - 4 Weeks for Delivery

Wood and wood gases are burned more efficiently because of the airtight gasketed door and Thermo-Controls' downdraft design which forces the smoke and gases down over the flames, squeezing every BTU possible out of it before sending it up the chimney.

Not sure if these great stoves will work for your application? Want to see a diagrams showing how to set up the stove for hot water? Connect the stove as a back up to your boiler?

Download the Installation Manual:

[Part One](#)

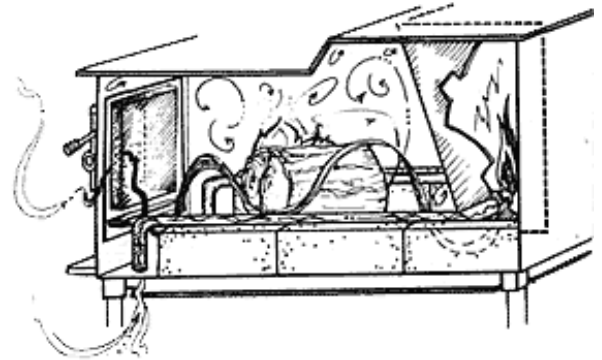
[Part Two](#)

Government test results show this Thermo-Controls' exclusive feature resulted in "The lowest emissions and highest efficiency of any type stove tested".

All intake air is pre-heated for hotter combustion. The large door permits you to load large logs without splitting them. The expansive firebox is firebrick lined providing for long life heating.

The built in efficiency of this unique wood burning system keeps your home comfortably warm with a minimum of time and effort.

The large flat top surface of the Thermo-Controls' transfers more heat to the room while providing lots of room for cooking. Ash removal may be done once a week to once a month depending upon model and type of wood used.



Air Flow Currents through the Thermo Control Wood Stove

Please Allow 3 - 4 Weeks for Delivery

All models can be adapted for use with your existing heating system.

- [Inside diagram of the TC design](#)
- [Additional Features & Benefits](#)

Contact Us

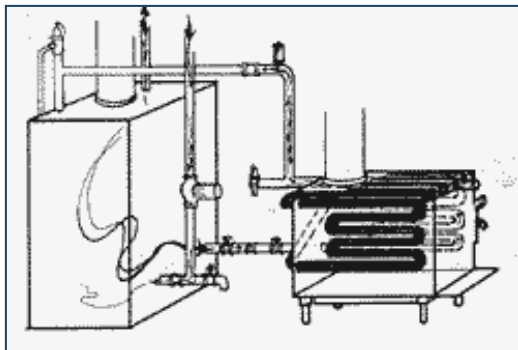
Company Info

All Thermo-Control stoves are constructed of heavy 1/4" and 3/16" thick hot rolled black steel by master craftsmen to ensure a heating system that radiates like cast iron of bygone days, but unlike cast iron of old, will not crack or pop.

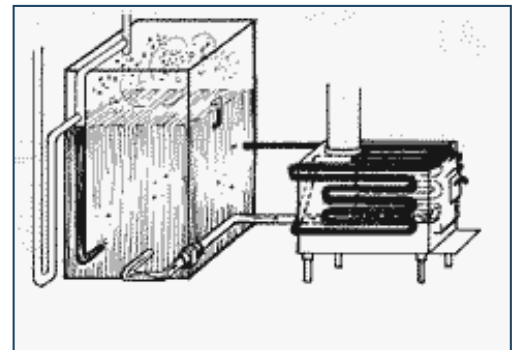


One of Thermo-Controls best features is the optional water coil in which water circulates around the fire for hot water heat and/or domestic use.

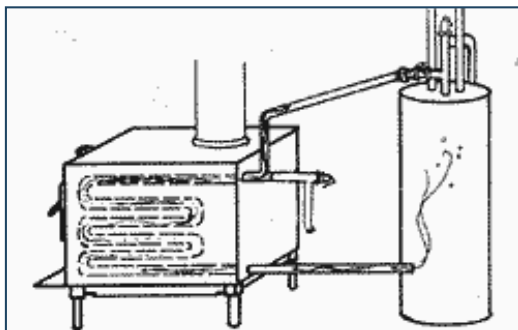
("I hooked up my Thermo-Control 400 to my existing electric hot water heater tank. It produces so much hot water that I ended up running radiators to colder rooms" - CG: Summit, NY)



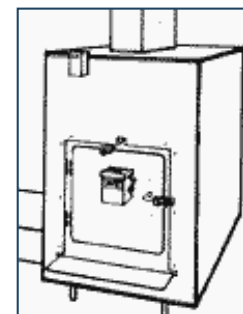
Sample Installation w/ Hot Water Boiler



Sample Installation w/ Steam Boiler



Sample Installation w/ Water Heater



Sample Installation w/ Hot Air

Specifications		Model TC400	Model TC500
Height		27 Inches	33 Inches
Width		24 Inches	24 Inches
Length		28 Inches	34 Inches
Weight		310 Lbs.	360 Lbs.
Door		12 x 18 Inches	15 x 18 Inches
Maximum Log Length		22 Inches	28 Inches
Firebox Dimensions	Height	18 Inches	24 Inches
	Width	24 Inches	24 Inches
	Depth	22 Inches	28 Inches
Firebox Capacity		7 Cubic Feet	9 Cubic Feet
Flue Size		8 Inches	8 Inches
Equivalent Rating (BTU/hr.)		80,000	125,000
Heating Range		Up To 1700 Sq. Ft.	Up To 2500 Sq. Ft.
Boiler Heating Surface Area (4 Coils)		8.5 Sq. Ft.	11.5 Sq. Ft.

Installation Manual:

[Part One](#)[Part Two](#)

**Please Include Daytime phone number for Freight Company.
The Manufacturer Can Not Ship Units without daytime Phone Numbers.
Please Allow 3 - 4 Weeks for Delivery**

Thermo-Control Models:

Model	TC 400 Models	Price	Buy Online
TC400-FM	Furnace model with air plenum and fan control Ships via Freight. We will contact you with a freight quote prior to billing. Please Allow 3 - 4 Weeks for Delivery	\$1560	Add to Cart View Cart
TC 400 B	Boiler w/ 3 stainless steel factory installed water heating coils Ships via Freight. We will contact you with a freight quote prior to billing. Please Allow 3 - 4 Weeks for Delivery	\$1655	Add to Cart! View Cart
TC400-B/FM	Boiler model with air plenum and fan control Ships via Freight. We will contact you with a freight quote prior to billing. Please Allow 3 - 4 Weeks for Delivery	\$1955	Add to Cart View Cart
TC 500 Models			
TC500- FM	Furnace model with air plenum and fan control Ships via Freight. We will contact you with a freight quote prior to billing. Please Allow 3 - 4 Weeks for Delivery	\$1760	Add to Cart! View Cart
TC500-DHW/FM	With domestic hot water heater coils & air plenum / fan control Ships via Freight. We will contact you with a freight quote prior to billing. Please Allow 3 - 4 Weeks for Delivery	\$2060	Add to Cart! View Cart
TC500-B	Boiler model with 3 factory installed water coils Ships via Freight. We will contact you with a freight quote prior to billing. Please Allow 3 - 4 Weeks for Delivery	\$1890	Add to Cart! View Cart
TC500-B/DHW	Boiler model with 3 water heater coils & Domestic water coil Ships via Freight. We will contact you with a freight quote prior to billing. Please Allow 3 - 4 Weeks for Delivery	\$2075	Add to Cart! View Cart
TC500-B/FM	Boiler model with air plenum and fan control Ships via Freight. We will contact you with a freight quote prior to billing. Please Allow 3 - 4 Weeks for Delivery	\$2190	Add to Cart! View Cart
Larger Boiler Models			
TC2000B	125,000 BTU - Up to 15 hours, 75 gal. water storage Includes AquaStat, 24V draft control press/temp relief valve 31"W X 48"L X 48"H Ships via Freight. We will contact you with a freight quote prior to billing. Please Allow 3 - 4 Weeks for Delivery	\$3200	Add to Cart! View Cart
TC3000	The two specially designed combustion chambers feature primary and secondary pre-heated air supply contributing to a longer lasting and cleaner burn Ships via Freight. We will contact you with a freight quote prior to billing. Please Allow 3 - 4 Weeks for Delivery	\$5200	Please Call



Please Allow 3 - 4 Weeks for Delivery
The manufacturer has a 15% restocking fee for returns.

[Back To Space Heating](#)