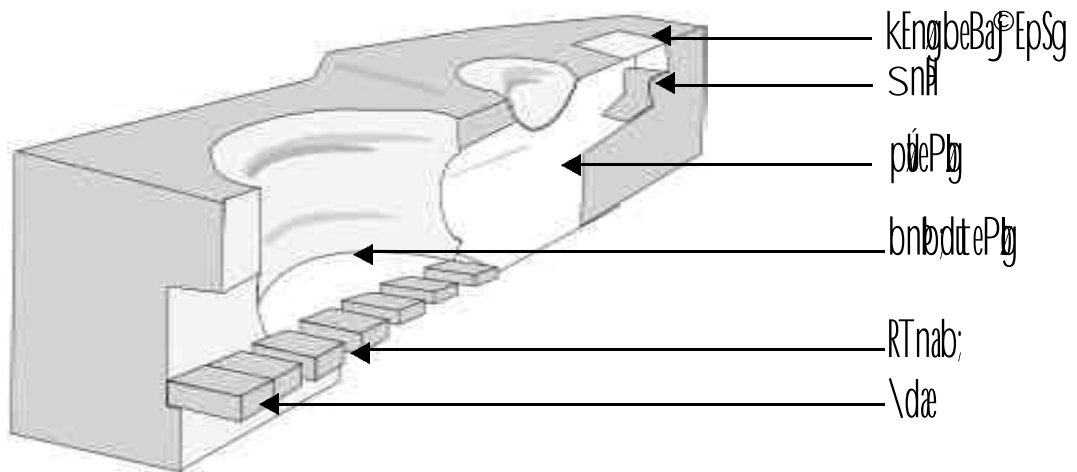


CFSP

Kerangka Kerja Kebijakan Luar Negeri dan Pertahanan (CFSP)

esovePAk, üsagsgcRgánedayxñÉgsñab, Gk, pSBpSay nigerbR) as, cRgán



eroberogetLgeday
Syahri Ramadhan

cRgán samKÁ



]btñédáyKN³kmpFkarGrb
(European Commission)

Komisi Nasional Kerja Sama (CFSP)

esovePAk, bisagsgcRgánedayxñÉgsMabGkpsBypSay nigerbR) as;cRgán

matka nigerbR)asmashkMüTñbBaP rb
eday

Syahri Ramadhan

Chaj karbecReTsrbs;CFSP

ec j pSayeday
Komisi Nasional Kerja Sama
kariyal ykargarbrisan
ext kBiggqñ ng WENet Cam

TdsBl x³ 855 - 23 - 880916

Tdsarel x³ 855 - 23 - 880916

Email : wenetcam@bigpond.com.kh

cRgán samKÁ

kare)ahBmpSayenH]btñedayKN³kmpFkarGñbeRkamKbragbrisan DGI/D/4 .
karbeBaJeyabI enATenH KñaeYabI rbsGiknBñshlyeyabI ;TañtenHGacminqññbBaññ
BITsSn³rbsKN³kmpFkarbrisanGññ .

matkaGtBT

CEBK 1

esckppn 1

CEBK 2

etGTACac^gán samKÍ? 5

ehtGltacmanc^gán samKÍ? 5

GtBoeyaCnbec^géTsrbsmlt^gán 6

GtBoeyaCnesd^gic^gos^gán 6

karENna^gú^gPaB 7

CEBK 3

rebobe^gbsovePAk,ú]bkrN_ 8

ngvt^gat^gac;

]bkrN_ 10

vt^gatu 12

CEBK 4

eKagBm< 13

kardakk^grbBa^g 15

kar^gF^gmtamv^gF^gEpSg² 17

CEBK 5

vt^gat^ge^gF^gÉ^gán 18

karBesaFnd^gndæ 19

vt^gat^gul ayd^gndæ 20

CEBK 6

kar^gsagsgt^gán 23

CManTI1³ karerobc^gBm< 23

CManTI2³ kardak^gán 24

CManTI3³ kar^gcakdb^gBj Bm< 24

CManTI4³ karyk^gBmécj 25

CEBK TI 7

b^gg^gEpSg 26

rebobe^gF^gBm< 27

rebobt^gL^gh^gBm< 30

cakyt^gat^gob^gBj Bm< 32

»» ma ti ka G tß b T

CEBÜK 8

rebobecorc ^ç gán	34
edARbehagdak,qatıı	35
karecorRbehagdak,qatııxagmıx	37
karecorRbehagdak,qatııxageRkay	37
karecaHrnŞBİgEpSg nigRbGbbBİgEpSg	
karecorbnıbcgıı	38
kareFİsnH)atıı	39
kat,ecaHrnŞgüıı ;Tİıı nigrnŞykepHecj	40
ecorRbGbcııHıı	41
c ^ç gánKıınbBİgEpSg	42

CEBÜK 9

karhal c ^ç gán	44
---------------------------	----

CEBÜK 10

kartııLııgbBİgEpSg	46
KıııbbBİgEpSg	47
rebobeFKıııbbBİgEpSg	48

CEBÜK 11

kardııtel kđıııııı	50
rebobdıııđıııııı	50

CEBÜK 12

karBıııtııemıııı c ^ç gán	52
karBıııtııemıııııı cıııııııı	52

CEBÜK 13

kareRbR)as;nııgEfrkSac ^ç gán	54
rebobeRbR)asc ^ç gáneGay)anıısmrıııııı	54
karEfrkSac ^ç gán	55

Éksareyag

bBkfa

manRbCaCnxH)ansYnaBkGanePaHedI manTmMagenH enAeBl EdI eyIgeFkar
pSBpSaycGanePaH . tamTsn³beckeTs karpI itcGanEdI manTmMehlycl Zenah
GaceFTA)an bInBi)akI k; Bi)akdikCBa) ehlymantMl efog . eygktsMal eXij fa
mantMkarcGanePaHedI manTmMagenH .

eqyTbeTAngtMkarenH CFSP)anBüayameFkarGPivDancGanePaHmanTmMagenH
EdI gayRSI kōkareFdayxüEg eRbR)asnUvtFafedI manenAkūPhiehlyGaceqyTbeTAngt
tMkarrbsKatpg . pI RbeyaCnéncGanenHKWmankarcNayI ykakGRcheTel kEl gEt
karcMayel karTij \dōuNāH . elIsBenHeTot cGanEdI sagsgedayxüEg KMan
RbsilPaBxs;manpasxPaB nigsutPaB eobRbobeFobeTAngcGanfpdibeGanbrouN {cGancM}
EdI manerBR)asenARbeTskm&a .

GrKINcBaHkA k CFSP man el ak Jean François Rozis, Iwan Baskoro, Myriam
Rondet nigbKA k ExpTadGsEdI)ancU rhcMnkenAkōgesovePAK,ūenH .

xMthsMdgNkarEfgGINrKINcBaH el ak Auke Koopmans, RWEDP-FAO
nigel ak Pornchai Sripaiboon mhavitūal yksi]sahkmisakI vitūal yRBHGm&s;sgka
Rskhatéy; sgka efLgd kōkarerobcGaymankareFT ssn³kieSkSaEdI eFVGay CFSP
manKMitkōkarpI itnUk,ūbeckeTscGanGcl ZenH.

sthEfgGINrKINyagrCal eRCActBaH kmuFcGanRbNitRbcamMnGasli (ARECOP)
EdI)an]btmfvika nigkarCYektMEl GtBTCaBessCaPasaGgekS . GrKINcBaH
bNpJ kargarfamBl eQēnkma (WENetCam) nigvitūasān IEPF cBaHkarCY]btmū
fvkasMbkarbkerBPasaGgekSmkCaPasaExp .

sthEfgGINrKINyagBesscBaH Liz Webber-VSO vol. manTitadēnAextkBgqād
eday)ancMnayeBl evI adMantMl rbsKatkōkarGan nigEktMEl GtBTCaPasaGgekS .


eyIsgGmfaesovePAK,ūEdI)anGPivDanehlyenH ngCYCMij nUGnpgBhrvagbNp
GkpsBpSaycGanRbNitenAtMnGasunigbNpMnepSg²eTot .

Syahri Ramandhan



esckppn

esovePAK, ðenH eFLgsMab,bkÁ ikpSBpSay GikpSBpSay c^gán nigGikeRbR)asc^gán .

 erbR)as;GissMab;karcGinGaharRbcabif^gARbeTskmCa KManbrmaN erChCagenARbeTsepSg²enAkigtMn;GasIGaeKiy_{en}H . TnMnngenHEdr karraraMmineGayerbR)aseQCafamBI cGinGaharkigeKal bMNgEfrkSa brisAnenah KMinEmnCakarKitRtMRTUenaHeT .

kaI BhmRbCaCnkmCaFabeRbR)aseQIsMab,CafamBI EbbenH edayKpnC^bnUbBað GHLy edaysarEtmanéRBeQRch . naeBI bc^g,nänHebKitBkarcH Gn,fynUbrmaNéRB eQvij RbCaCnkmCaCManeRkay²GacnngTTI eRkaHfakBbrisAnEdI cH Gn,fy_{en}H . eQI EdI erBisMab;karcGinGaharRbcabif^ghaHngmankarI MakkgkarrkeQITajenaH . rdaP)al kmGaminKYTTI xis^gU^gEt kargarEfrkSaÉRBeQbaNHeT k^ginkarcU rhrbsRbCaCnkmCa TabmU ngnaMknUKM abymKakanEt xedjeLg² .

eht^gHehly **CFSP**sthpI nUesovePAK, ðenHEdI GacCYdI bkÁ ikpSBpSay GikpSBpSayc^gán nigGgkarGnpCatEdI eFkarenARbeTskmCaGaymanc^ghHdgk^gkar pI itc^gánRbNit . CagenHeTaeTot tamry³karpSBpSayc^gánRbePTenH ngman^gKYsarkanEt ercheLgeRbR)asc^gánenH . RKYsarTabLayNaEdI erbc^gánRbNitenH K^gARKYsarEdI cU rnyagskmk^gkarEfrkSaÉRBeQI .

esovePAK, ðenHminEmnerobcMLgsmabGikeRbR)asc©gänenAtamtðn,CnbTeLly
kðinjsMabbKÁ kpsBpSay GikpsBpSayc©gán nigTIPákgarGPivDAnepSg²EdI eFk
enAtamtðn,CnbT edm,ðGayBkeK GacmankðesovePATðmly enAeBl beRgonRbCaCneGay
echpI itc©gánedayxðÉg . kðesovePAK, ðenH KðameFúa)aymlypgEdr sMabbRgon
becðeTseFðRgándI bKÁ kpsBpSay nigGikpsBpSaycRgán . cðBaH GikeRbR)asmlycMh
kðacerRbR)asnðesovePAK, ðenHEdr .

Rbvtþng ml ehtu

KMiténkarbegðnUc©gánRbNitEdI GacpI itedayxðÉgenH Kððm, bðBj nðesckp
RtUkarnUc©gánEdI manTðMðMagc©gánEdI manRsab; . kðGMLgeBl énkarpSBpSayc©gánePðH
Cac©gánEdI GaccI ½)an manGikeRbRc©gán nigRkmeKal edAmlycMh)ansYBc©gánePðH
EdI manTðMðMagenH . eKal bðNgedI cg)anc©gánTðMðMðH KðdaySarEtGikeRbR)asc©gán
mlycMhmanRkSarFðdI RtUbréPaKrnKäehlyBkeKkðUkarc©gánFð sMabbCðnGaharsMab;
cðBaðstBkeKpg -RCK RtleKa! . tamI kðN³becðeTs cRgánePðTðMðMðH B)akpI it
nigB)akðkCðað .

edm, bðBj nðvtWkar)anEbbenH CFSP kðBðgBüayamnaðBað mknUc©gándPk;
EdI GacpI itedayxðÉgEdI manmðRsedogKänyc©gánePðH edaymanTðMðGaceRb)anenA
kðpð)ay . c©gándPkenHeRbR)asvtðFatðdI manenAkðRsk dððHesðETKancðNay
eTæI vtðFatsagsgesaHeLly el kEI gEtKarTij \ððNðH . CagenHeTæTot c©gán
RbNitsamKðdI GacpI itedayxðÉgenH kðanRbsITðPaBxs; gayRsv kðkareRbR)as;
ehlyvaminbðBal dI sðPaB eðeRbobeFobeTAnyc©gánbuaNEdI manerbenAkðRbeTs .
tamkarBesafnEdI)aneFðdayRkmkargarrbs; CFSP)anbgðj fa RbsITðPaBrbsc©gán
samKðitCamFüm KðW35 PaKry tam (water boiling test) . c©gánSamKðgayRsv kð
karsagsgedayxðÉgeFðBðPk; beððð aybBaðKä . mðtc©gänenHeFðLg sMabbTðn,CnbT
EdI GaceRbR)ðgðgðEpSgkðan Gtðkðan . c©gánRbePTenH GacsagsgRbehagðakðð
mlykðan Bðkðan . RbsneðGikmnerBepSgecj Bc©gänenHkðgeKal bðNgedly -dðCa eqðRtl
bðkSakKabBðCeGaysðeTenaH; GikKðdabðgEpSg . kardabðgEpSgGacmanpI I ðI;
sðPaBrbsGik .

karskSavayt

c^gansamKAmInEmnCac^ganTBEIdI GactMucitGikeRbvaTajGskä bsmrmüsMab;
 karc^ginGaharRKbbINgenahET . edm,bGaydijfa etc^gansamKIsmeTAnjRkmeKal edA
 rbsGik r^gikeRbR)as; b^eteTenaH GikGaceFKarskSavaytM d^samBañly . xagerkam
 enHKWasmymyctmEdI GikGacsYdI RkmeKal edA b^eikeRbR)as;. -EpikenHdkRsgcej
 BbsovePAk,ürbsRKbN^hbN^hl s^hBkareRCIsers nigkarpSBpSayc^ganRbNitEdI)an
 eroberogedaykmp^hFc^ganenAtamt^hnGaSl- ARECOP Yogyakarta-Indonesia | .

1 >ph)ay GikKYyl eGayc,asBBtmanG^hph)ay CaT^hTATak;TineTAnj
 c^hNHdyC^h0 nigTmabBbuaN bBa^sxPaB nigesck^hRtUkar
 nigkarcg)anrbs,GikeRbR)as; . Btmanxagel enHGacrk)anenA
 k^hph)ay .

2 >Titak^gan Rbsnebc^ganmin)andakeGay)anRtmRtUeTenaH vaGacbenBnU
 PaBtant^hk^hgkargardI GikeRbR)as; d^hCa QW^hg C^hW^hnak; nig
 C^hW^hg^hepSg²eTot . CaT^hTATitak^hrbsc^ganKYEt dakeGay
 RsbeTAtamPaBgayRsV rbs,GikeRbR)as; minEmnPaBgayRsV
 rbs,Gikc^heFKarpSBpSayenaHeT .

3 >thaTrbsc^gan CakarcaMac;Nas; eygRtUsegatemll thaTItak^hGsrbsc^gan
 r^hTak^hkarc^ginGaharpg . Rbsnebeygmin)and^hgBthaThana
 rbsc^ganbuaNeTenaH eygGacpSBpSaynUc^ganRbNitmy
 EdI minGacbbj nUthaTsMan²rbsc^gan]TahrN_thaTk^h
 karhal bEnd^hNal^hthaTk^hkark^hBA .

4 >rebobc^ginGahar eygRtUkarcgdy etc^ganRtU)anekeRblij k^hj ab; b^eT k^hgkarc^gin
 Gahar ? ehlyCaFm^hta^hc^ginGaharGI? .

5 > RbeBNI
 RbshebylgminTTV sÁI nURbeBNIb@hOrbsShKmeKal edA
 eTenah eKRbEhI CaminTTV ykc@ánenaHmkerbèT .]TahrN_
 Rbshebylgdakc@áneGayEbrmæTAXagt,ú enAeBI EdI BKeK
 EtgEtdakvaeGayEbrmæTAEtxageCb bRbshebc@ánEtgEtdak;
 enAcMNpI pñ .

6 > karbBaP Kä
 karepateAel pñ)ayk@aceGayeybgdpgEdrfa TNæEdI kmuFI
 rbseybgGacBaPnUkarEkI pñ)ay .]TahrN_³ b@gEpSg
 rWbb@gEpSg minEmnComeFüa)ayEtmYkúgkaredaHRsaybBaà
 EpSgenHeT . bgú nigRbehagxül ; ComeFüa)ayepSgeTotkúgkar
 edaHRsaybBaàEpSgenah .

dbPgenAkúg pñ)ay k@aceFkarEkI ppgEdr .

eKGacENnaHGayeFkarcGinGaharedayQr . kEngerobcMnig
 brèPaKmúGahar RbEhI CaRTUkarEkI ppgEdr .

pñ)ay K@akEngEdI RtUcMNaynUfamBI PaKerchrbsRKVSar CakEngEdI @Spnig
 kmarcMNayeBI evI ad@rch CakEngEdI RKVSarCaerchRbmU pMā CakEngEdI CaTitatjen
]sSahkmfal kN³RKVSarCaerch . pñ)ayEdI manI kN³smrmü ehlymanGnamlyenaH
 Kpñ nU\TB I vCmandI s@PaB @Spnigkmar bnkkargarrbs, @Spbris@nrsenA nigesd@ic©
 RKVSar . TatjenHKW@GtRbeyaCnepSgeTotkúgkarBnitüemII Bpñ)ay .

Rbshebc@ánsamKñinsmrmüETAngI T@I énkarSKsavayt@ll eTenah cdk@UayambgM
 eGayeKeRbR)asc@ánenH ebmindècHeT kmuFI be@ánrbsGikngRtURkmeKal edArbsGik
 bdesFminTTV ykeLly .

GtRbeyaCnRbEtsrbsmllcRgán³

GkeRbcRgánsamKngTTV)annUpI RbeyaCndteteTAenH³

- 1>)ankatbnRynUkareRBR)asGas . eyagtamkarBisaFnEdI CFSP)aneFlnah)anbgáj eGayeXlj fa cRgánsamKngGacsnsMamBI dtRbEhI 40% ebeRbobeFobeTAnng cRgán fpbWdI RbCaCnPaKekchenAtamtWnCnbTénRbeTskm&a)aneRbl .
- 2>PábedaybMgEpsg³ eRBR)ascRgánEdI manPábedaybMgEpsg nigeFNGaymanEpsg tíctítenAkúbriyakaseFKargarkúpH)ay ehlyvamanpI I Wl sRPaBeTotpg .
- 3>qáq nígXh manTmRtUngcRgán³ edaysarEt kardakRTnabcRgánGaceFV)anedaysarxúEg dlecl qáq nígXh manTmRtUngRbehagqáqRbestCagmn . I kN³EbbenHeFNGayqáq mankarRsbk&WakanEtrbesteLg .
- 4>cRgánsamKngAnrn&üI CMY EdI eFNGayxüI GksIsncüI eTAKúbnbcMhH . cRgánenHmnrRtUkareCgTm&deLy .
- 5>gayRsl sagsg;nigC&CüI³ CakargayNaskúgkarsagsgcRgánenH K&WkanEtemll karbB&VedGbesovePAK,üEdI)ane)hBmenah GkngGacsagsgcRgánenH)an .
- 6>FnngkareRBR)as;³ eGayEteygeRbvaGay)anRtmRtU EfrkSaeGay)ansít ehlykM eGayRtUtkePog enahcRgánenHngGaceRb)ankúry³eBI d&ytd .

GtRbeyaCnRagesdkeRbscRgán

1>snSMly

RbsnebRtUtij famBI dtenah GkeRbcRgánsamKngGacsnsSMlyEdI cMlayeTAel Gsdit B&RbaHcRgánGacsnsMamfamBI RbEhI 40% .

2>snSBI evl akjkarrkGs

RbsnebRtUrkGsGkGacsnsSBI evl akjkarrkfamBI enH ehlyGacél eBI evl a
smb,skmPaBrkR)akcNU epSg²eTot bkeaneBI emll EfTamUpg .

karENnaBbaSxPaB

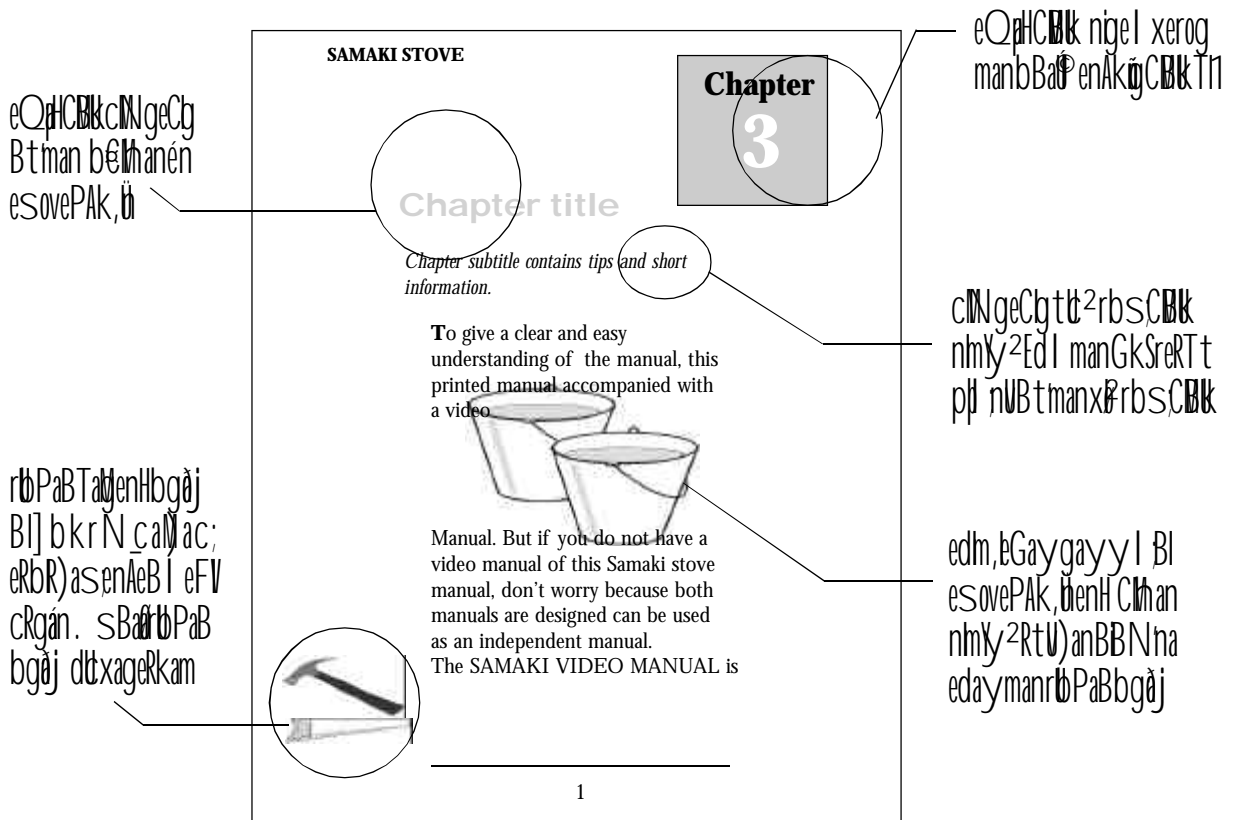
bBañkyénbBaäclg²CaerchcBaHCyüdegnFñFñKüday sarEtmankarRbQmmxng
EpSgenAkj(pH)ay . RbsnebcRgánrbsGkmanbBgEpSg Gk nigRKlsarrbsGkGaceCosvag
ClyüdegnFñFñCñPñk khekltminRKbEx nigkhekltminRKb;Tñ;EdI GacekteLgedaysar
TB I énEpSg .

dñGkKYeteFñRgánmanbBgEpSg BèRBahvaminbHBal dI sñPaBrbsRKlsarGk .
eI lsBenHeTAeTot bBgEpSgGacCYeGaymancñHkanEtI ¥.

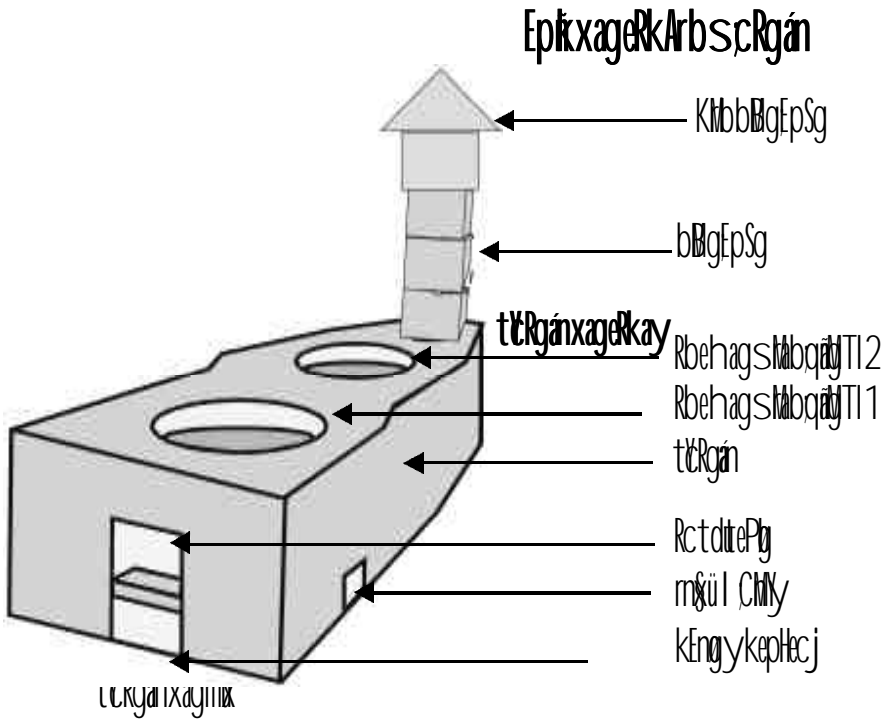
rebobeRbeSovePAK,th]bkrN_nig vtFatcaMac;

edM,pt eGaynUkaryI dngc,as;l as; niggayRsII BksovePA
k,thenH RtUeRbeSovePAK,thrmCamlyExSvedGtRgan samKEdI man
Rsab; .

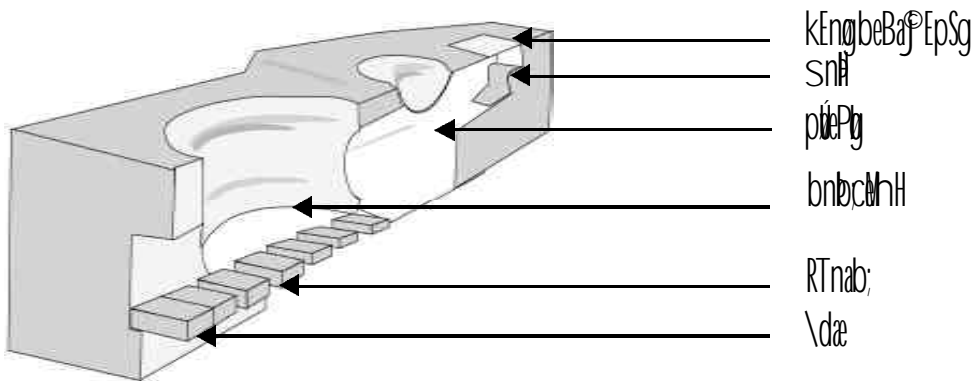
① Bnimly²enesovePAK,thmanI kN³dtxagerkam EdI mankarbgaj nUktpsMan²
cMlc nigrbPaBenBtman .



edlm,IsnSvBI evI asMabkarGanenAeBI xagmxeTot cticgcaMUBaküeBCnbecReTs
 stAbEpikrbScRgänenAküesovePAK,üenH . BakübecReTsenAküesovePAK,üenH KÜaeQpH
 dtKängEpikéncRgánTadGs; .



EpikxagkürbScRgán



]bkrN_

edlm,eGaykargarRbRBitpTA)anRSM nigmanI T&I I ¥cUeRbR)as:]bkrNEdI)an
 BBNInaxageRkamentH . GikGacpasbRbdabRbdaTajenHedaydbyk.]bkrNEdI Gacerbkij
 eKaI bNngdtKä RbshebRbdabRbdaTajenH BQacrk)an .



Fgshabdak;Tik nigdbkk dhdæ



sabRbal aysingt_3 erbshtabeFV
 eGaytRgänrel agesl



kabit³ shabecorcRgän



j j ü³ shabsagsgBm<



rNaéd³ shabkateQI



Rbdabxy³ erbshtabxygeQI

SAMAKI STOVE



Rbel ok³ sMbeRbCamYeOl



kltesæl x 12³ sMlont bng
nglntæxRbsBm<



EmRtvas;³ eRbStMbyaskigeBl erobcM
nigecor1/4katcRgån



cbkab;³ sMberobcM dSvWlklk
BRgabépkagekameGayesJl



eCgdM³ sMbyaybgåb;tCRgån
edm,eFlGaytCRgån habENn

vt Fatu

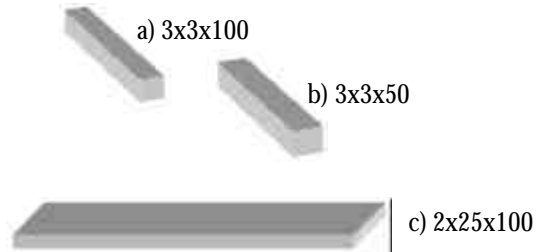
erobcvt Fatadn, EF Bnt³ gán

k- tt³ gán³ hoxageq³ nigxags³ pM

a) 3x3x100 Sm =4 dM

b) 3x3x50 Sm =12 dM

c) 2x25x100 Sm =4 dM

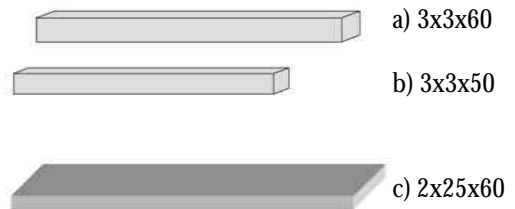


x- tt³ gánxagm³

a) 3x3x60 Sm =2 dM

b) 3x3x50 Sm =5 dM

c) 2x25x60 Sm =2 dM

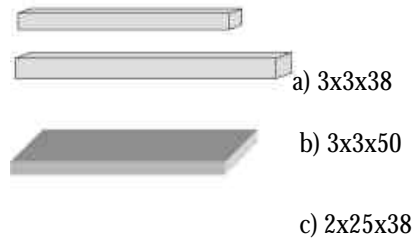


K- tt³ gánxagerkayxageq³ nigxags³ pM

a) 3x3x38 Sm =4 dM

b) 3x3x50 Sm =10 dM

c) 2x25x38 Sm =4 dM

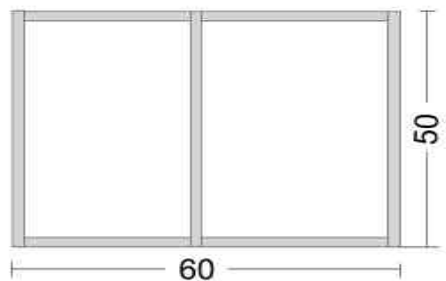


X- tt³ gánxagerkayEtmy

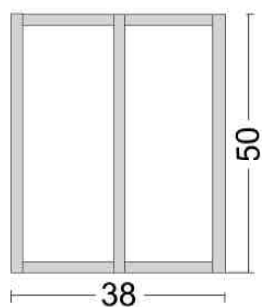
a) 2x25x50 Sm =1 dM



x>tRgánxagmá



K>tKageRkayeqú sM



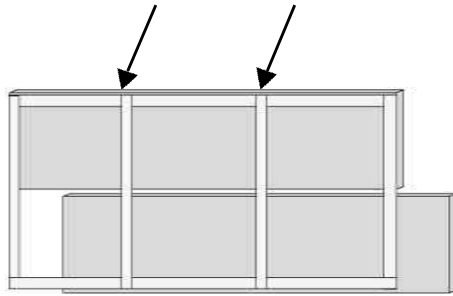
X>tKageRkayEtMý



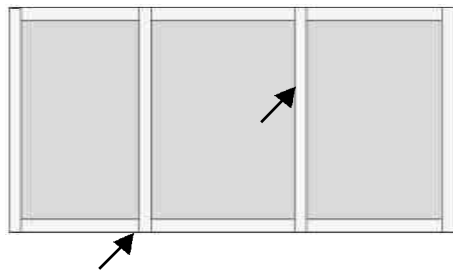
Cardak Karbonat

enAeBI EdI GikEERKagBm<ehly GikGacdakarPabngEKagend)anehly . Rbsh ebGik)anerobcmOltamTmEdI)anerobrabenAkigkarerobcmEatu-CBk3; KEGEKanEt rkemil TmNmamYEdI RtUxät nigTmERKagBmenah .

k>tMhogeqt spM



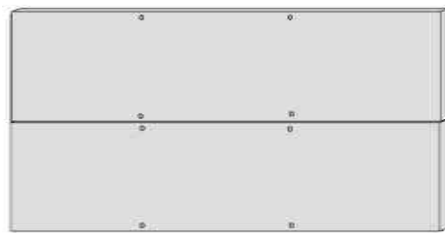
dakkarPabngEKagBm<dtrbPaBenAxag eqtenH ehlyvayPabedayEdkeKal . ctRy%änAeBI vayPabEdkeKal . Rbsh ebbQenahCaeQxim ctixvash minngvay EdkeKal edm,kMGayerBH . ctidak;Titad ERKagBm<nigeOKtsSBaßMaI ; rixig ctivayEdkeKal enAEpikknjal Camin ctemil sBaßBj .



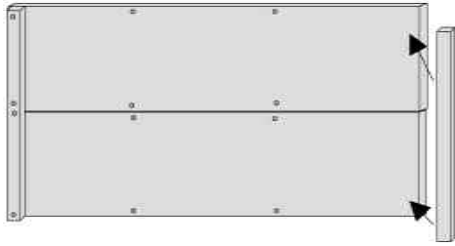
tMhogxageqt
-EpikxagerKA;



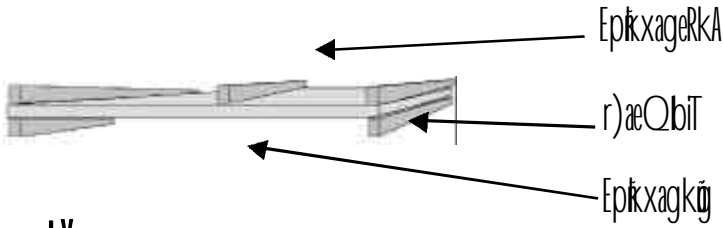
tMhogxagspM
-EpikxagerKA;



rbemil BEpikmageToténerKagBm< -Epikxagkig; . EpikenHngRtUerbCaEpikxagkigrbsBm<



da kr) ae QIT ad Bren AE pik xag kñ .
 dñ QIT ad Bren Hing man tñ a T Ca
 r) a e QI St ab b i T P i t .



x > t k ag m x

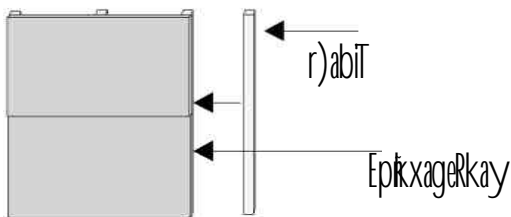


da k k r) Pa be Rk ag dñ B m tñ R g a n cñ H og
 E dr . B m e R g a n x ag m x m i n R t U k a r r) a r
 e Q b i T e T .

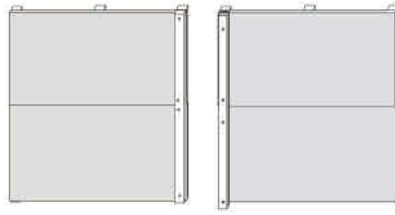
K > t k a g e R k a y e qñ n i g s p i t



B m x a g e qñ n i g x a g s p i t tñ R g a n x a g
 e R k a y e n H e F W t K a . B m e n H R K a n E t R t U
 k a r r) a r e Q b i T e t m y b u N H e n A E p i k
 x a g kñ .



SAMAKI STOVE



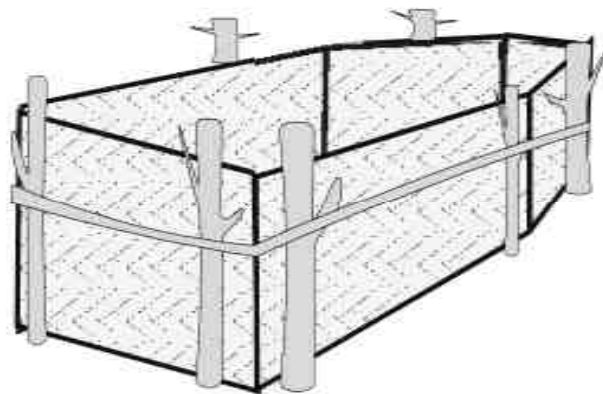
tkagerkayxageqly nigspM

X > tkagerkayEtmly



kareFBm tamvFepSg²

GikGaceRbRbGbeFBleQlbeSdSamBaEdI manragkaerStabeFBmedayerRbbntleQl
 bEmkeQltb²edm,fbBmenH . edm,bFtGayvakanEtXedjenah GikGaccgBmenahGayng
 -cdemil rdxagerkam! . eKal bMNg Kwch,bFVt(FateFBmeGay)anI S Mab,GikpSBpSay
 cRgan . BmenHerKaymkGaceGayGikdeTeTot eRb)anRbsinebeKcgeFtRganEdrenah .





vtFateFLRgán

ckgánsamKIGaceFbblkk dPk; belndš. RbshebGikerbmeFúa)ay
d% blltkjkarl aydenah KttUerbl/Fil aydBakkNpl sll .



FateRbkj karsagsgckgánsamKIGaceFbblkk nigcbbj . dblk KlatFatošMan;
sMbsagsgtcRgán ehlyCacbbjmanthaTCasrésenAkjtcRgán . dblk
KladEdl gayRsl rkenAtamval ERs benATval xagerkaypš . denHmanl kN³
hjt; ehlyskpgEdr . GikGaceRbblkkššabopl itcšgánEtmj edaymin
)acbEnhvtfatGtToteLly . edm, eGay)antšgánd% šštrngmal ehly habENnl enah
GikGacbEnhcbbjCavtfatEdl manthaTCasrés edaybenhmjgmlyRsTabeTAKjtcšgán
-šhemll karl ayvtfatj .

vtFatEdl GacCNS)an*)³

RbshebblkkB)akrk enahGikGaceRbblndšFicšgánkš)anEdr . enAEk, rplrbšGik
mandndšærchEdl GikGacykmeRb)an .

1>dldaykBRcaldTendj

RcaldTenšatšTamanRbePTdndEdl štenABeI KšCaRsTab² . RbshebRsTab)Namly
Edl manššærch ehlymandndššbnššenah eybgacykval ayCamlyRsTabmlyeTot Edl man
dndššššš ¥ .

Binüemll enAküTenoERkgeI amandkSac;I EdI eytgGacykmeRb)an . CaFmptaTeno
EtgEtmandkSacEdI)anhtekahyagI #nAel RcaüTeno.

2>dndanAtamval ERs

sYRbCaCnenAküTnBkEngEdI mandndæ. mankEngCaeRchenAküPthi benAtamval
ERSedI ekGacCkykdndækeFCarbsrbrGhly . rkeGayeXlj nigebkeRokEngykdndæh
GacCkysnSBI evI ærchNas; .

3>dndaykBPM

GkxHckkykdndBPM sYRbCaCnenACWj BITkEngEdI mandndæ

ctbcgcaffa dndEdI KpndkSac; belNKs minEmnCadndæ sMabeRbCartFataFV
c@än r#stakarpI itc@äneLly . tambTBesaFn nigkarSavRCav)an
bgöj eGaydöfakarI aydsMöpl itc@änI bMtenaHRtUmanCatdndæ 50%
rWicCagenH . Rbsinebdndæstü j #nahmanerchCag 50% enahc@änng
eRohenAeBI dit . kareRohenH edaysarEtGRtarSkRstrbSc@änxs; .

karBesaFnndæ

vFsaRsp#samBaehlyCakEsjpbMtedm,eGaydöf avtFatedI)anI aymanKINPaBI ¥
rWInI #nah KlytgGaceFKbXlnyBdndæh ehlybnabmkTWakeTael khal ng . Etkar
BesaFnEbbenH minEmnFanafa dndEdI)aneFRKab:XD)anI #hlyenah ykeTaeFk@än
ehlyeCosvagkareRbHTatjRsigenah)anEdr .

RbsinebGkminTanR)akdf a RKab:XBbsGkEdI)aneFhHmanPaBs# bk#anah GkGac
sakI ,gtamdNakkal xagerkamenH³

1> eFKab:XBnYTHMm -manGgt,piRbEhI 12sm; edayeFvtfatidI)anI ay
bBaPKa

1> TWakRKab:XBkS; 1 m bBTksEdI manksespgkSsrbsGk

2> Bhituemil etmanGkkteLg³

k>RKab:XBk

I kN³EbbenH GacmkBdndæanKINPaBminI ¥dndæanXsacercheBk karI ay
vtfatidI)anI ¥b# ayTkticeBk

x>RKab:XBt

karI aydndærbtkeRcheBk . bEnndæabXsacxteTot ehlyI ayeGay)ansI ;
rhttdI yamanPaBS#RKbRKanedm,lykmkerbl .

K>RKab:XBnEbK

RbshebRKab:XBnEbK ehlyRKab:XBnAEtmanragmI I EdI bRKab:XBnSbt
enHGkeFkarI ayvtfatidI)anI ¥.

vtfatid aydnæ

RbshebGkeFkarerobcI aydnæankarykcitfkdak; nigRbgRby#æenHGknngTTI
)anI Tpl I ¥ehlyminmankarEbkerbhektmaneLly . manvFsaRsbFkngkarerobcI dævFsaRsb
eshnigs# . vFsaRsbFadBmanpI I ¥ngpI GaRkkddKæEtkeRCiserisykvFsaRsbNamlyenH
KæarsyngGakasFatuchhkw abI kmngvtfatidI man .

vFsaRsbsh

dndæI CkykmkenH Rtudakhal CadnGays# ehlydakRtakngTkeGay)aneRchéf#
edayktCaerogral éf#m,kæGaydnæAcad# . eBI enHeygGacbenndkSac; nigGgám)an .
eygGacRtabndængFgeQIbængCkdI .

pI RbeyaCnénvFIsaRspnH KWBNj kM agBI kmpnigeBI evI akjkarvaybMokdM dNdæ. kareFibobentmanFU Itic BBRBaHkarI aybBaPKænH RtUerCaHeTACaFatruav -kardkdegIn edayRsbykFU dNdæKManerKaHfakdI sIxPaB ehlyKfecosvageGayxanEt)an ;.

pI minI YnaH KWsarFatFiditCaxSacnvgI iceTA)an rEdNdæstienAxageIIEtRtUkar I aybEnfnEdI vFIsaRspnHRTUerRby³eBI erChéf¶.

vFIsaRspnH

vFIsaRspnH CaeKal karNmanbMfBM Br³ vFIsaRspnH BakkNpl s¶ nigvFIsaRspnH .

vFIsaRspnH BakkNpl s¶

vtFatUatGSRtUdaks¶il CaRsTab²tambriMaNI ayEdI cg)an . RsTabnimy²RtU eRsacTikCamm nigdakmYRsTabeTotBeI I . TikEdI eRsacenH RtUTikeGayvaRCabcU kjgdI \dæy³eBI mlyyb; . I HdI é¶¶nabomkeybgCkdNdæHCaExSQr ehlyKrCaBmkeGaydacBKä EdI enAeBI enaH eybgGacCanRcbI edayeCg r¶C)acedayéd . CacgerKayBmkeNdæadG; RtURcbI bBaPKäCaBmkeFmYedayCanRcbI vaCabn¶nab; . pI I vFIsaRspnH ebbRbob CamYvFIsaRspnH KWabegitFU bn¶bn¶ kæn¶naenAetmanpI minI YEdI . vFIsaRspnH BakkNpl s¶enH KWtUerRokM agBI kmpRch ehlykarI ayRcbI dminmanI kN³I Totpg .

vFIsaRspnH

vFIsaRspnH eybgRtUhal dNdæGays¶ ehlyykmkvayvaeGayh¶; ehlyErgyKRKIs ecj eTbeygykdNdæH I ayCamYvtFatopSgeToteGaysBV. GtRbeyaCnénRbBznH KWaEBI EdI EpkéndNdæI)anRcbI Käs¶ehly KWygGacrKsTikedayminca¶acchMayeBI evI æRchkjkarRcbI vaeToteLlyenAeBI RtUkar .

chexSayenvFisaRspnH KWM adjBI kmpRokg karvaybBok nigErgdNdakZdCaI aydl
VdEdI hal sñI ayCamlyTk . CagenHeTAEtotkarvaybBok nigErgdNdakWegiteGaymanI BgFU I
eRchEdI bNpl eGaykmkreFKargarenHmansxPaBminI ¥.

dbbkk

RbsnebGikeRdbbkkmeFua)ayd3/4naH KW ayvtEatedayerBol { vFisaRSpakNpl
sñI { . karerobcMandtxagerkam³

- k >dbbkk 1 m³ sMbeFizGánmanRbehagqadBf nigbBgEpSg
- x >cbbg 1)av
- K >Tk

karI aydl

hal deGaysñI ersacTkBel bl EtkeRcheBk ehlyvaybBokvakbGayenAmandñ .
GikGacerobcMedayeRbvFisaRspñI EtvabegiteGaymanFU ERch . GikmincaMacErgdenHeT
BERBaldenHmanKINPaBI ¥ pRKbRKanehly . ctykGMBogEkv Ctpast bellfecj Bbl .

cbBaldbbkkGikmincaMacI ayCamlyvtEatapSgddCaxSac; bGgameLly . enAeBI vtEatu
enHRcbI rñral ehly cbTkvaeGayenAesm . cteFitankarsakI ,gdZamBañy edm,eGaydñfa
etvtEatenHGaceRb)an bminTaneRb)an . ykvvtEatenHeFcaRKabXInly RbsnebebyGaceFV
RKabXBvtEatenHedaymineRbHEbkeTenal mannlyfavtEatenHGaceRb)anehly .

*) kñNtsMal ;³ CBBk {vtEatedI GacCMNS)an} nig {sPar³I aydNdæ K)andk
Rsgcej BésovePA ÉksarGnurtpsMabGikeFizRgánRbNit EdI becReTseppteTaeI kar
eRbR)asyvtEatedI manenAkñgtñnCMSeGaykarnadU BkagerKA .

ctemñ vbdGk,ñ
edln,eGayyI kanfctc,as;



karsagsgt;trgán

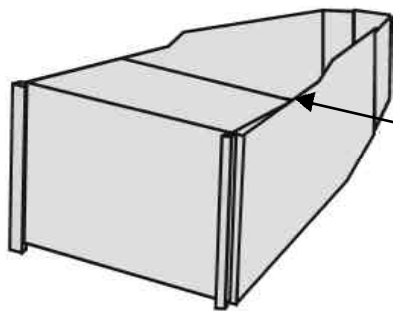
tankarEINnaGKVSagsgt;trgánenAkúxh rKúph .



sagsgt;trgán KVaChansMankú karp l itcrgánsamKÁ. faet;trgán rbsGkngmal/ bminngmalMaGaks;yeTaeI kar l ayvtEfatungdMNrkarkú karsagsg; . Chán déTeTot EdI KfykcitFúkdakEdrenaH KVaHecoreFbnbcMhH nigRbehag púePúgenAkúrgán . crgánmanRbsITPaB bKp KúdaysarTmhbnbcMhH RbehagpúePúBfnS xüI Chfy nigBRbehagpúePúeTakanRbehagpúT2 nigbBgEpSg .

ChánT1³ karerbcBn<

dakpúmkBaPúKúdtbgáj enAkúrbPaBxageRkam³



edm,eGay)anBmngmalGkGaceRbExSrI YsenA BkageI InigxageRkamcrgán ctemll rúPaB ExSrI Ys benHeQI

tankarEINnaGKVSagsgt;trgánenAkúxh bkúph . GkGacs;gxmeFBsketátTajúdu nigCBadú . xmenHngkarBarcrgánkMGayRtúePog bRtúBnúFú kareFúbenHngéFúGaycrgáneRbl)anyú . dtKáenHeDr Gkngmanbriyakasph)aycúCaTúBj citpny BBRBaHvaGackarBarGkúeR)as; crgánkMGayRtúBnúFúPúkePóg .

cúRbyúúúBaHkardakbúBgEpSgcrgán KúyúRtúdakbúBgEpSgkúGaybHcmúgeQFm eGayesáH .

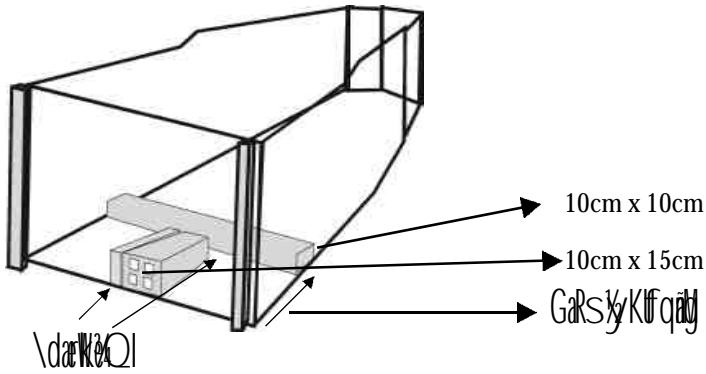


Chant 2 3 kardak Rgán

cteFkarsMccitpRCiserIsTkEngstAbosgcRgáneGayehly . KitdI ;TisedArbsbBgEpSg
kAGayEbreTArkbgt bRckNaEdI nalykxül cU mkköpt .

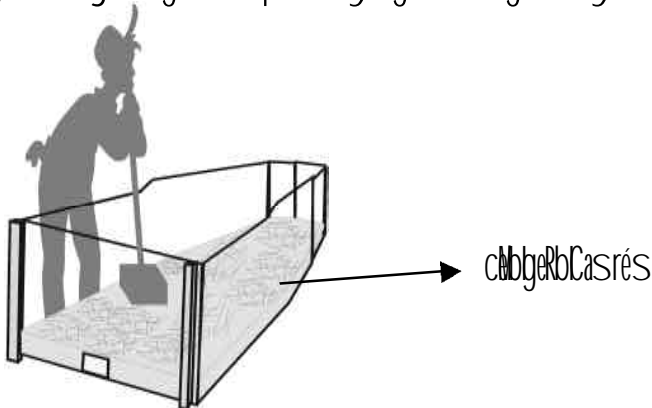
enAeBI Gkrk)anTKEng ehlyGkrRtUeFNGayesh ehlyBRgabdkEngenAeGayrabespdm,l
sgtCRgán . GkrGaceRbcbkab;beCgdMedm,BRgab bögab;TKEngenAeRteehlyykBmteCRgánmk
dak;TKEngEdI erobcM

dakdMdastAbbeFCarnxül CMY nigKEngkayykeHecj . RbsinebrkdMdain)an
GkrGaceRbcbQIrwGhlyEdI manTmM 10sm x 15sm stAbRckkayykept nig 10 sm x
10sm stAbornxül CMY .

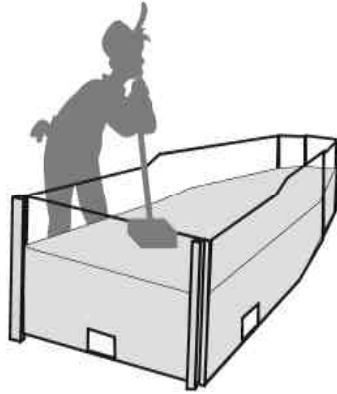


Chant 3 3 kardakdbBj Bm<

bBj BmedaydbBk rM dEdI)anI ayrtemYRsTabm² . RsTabnimY²manKAs⁴cm
RtURKbBEI edaycbg . ctkMbcMgercheBk . thAtrbscbBg KAsrésenAkgtCRgán edayedt
tCaerKag nigCavtBbj kEngNaEdI pt . vaybgäbdckkgBmeGayENnedayRogRbyZai.

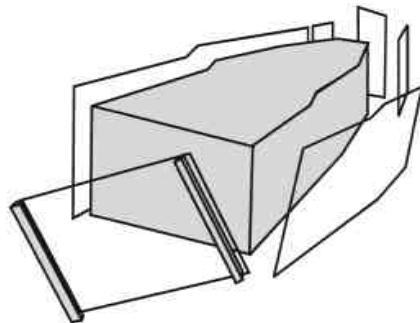


bAbj dldkqBmFal EteBj . cdkMpdakdmYRsTabmp²edayeRbcMbgRkal BEl pg .
 enAeBl cakdbBj rbral ehly GkRtUTktVcRgänenHeGaySñenAkqBmYagehac
 ry³eBl bēfñ.

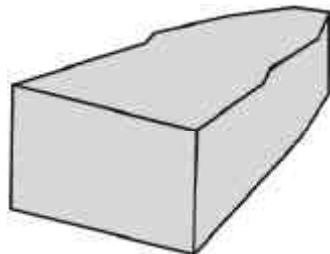


ChhanTl4³ karykBmēcj

bēfñkaymk rAbI EdI tVcRgānsñbnpehlyenah tVcRgānenHngRskRstbnñc
 GkRtUykBmēcj ehlyTkeGaytVcRgānenHsñkqry³eBl 3 eTA5 ēfñTot .



eRkayeBl EdI GikykBmēcj
 cñyksabRBasingtmkeFñGay
 tVcRgānel ag edayerSacTikbnñc
 eTAel ēpñbs;tVcRgān .



\I VenHGkpl it)an tVcRgānsamKñ
 dttenAkqrbPaBxageqñēd



enAeBl GikMgqgcañGaycRgānsñēdm,kateconvaenah
 GkGaceqñeBl enHēfBmñBqEpSgvij



bbgEpSg

RspnäkEdl eFKarcGinGaharedayerbGis b# amkeKaeFicavtBit
 enAkübnlbEdl Kpnxül ecj cl kñaneRKahFäkesphugkarCk;)arl
 100 edmkümyéf¶.

vtFatu



FatTadGEdl RtUkarstabeFicarbGberKagBmbbgEpSg KwQEdl man
 kks;2 sm . enHKQavtFateRbIsMbeFBmkgEpSg .
 eQIThM20 x 40sm = 2 dM 20 x 20sm = 2 dM 5 x 10sm = 4 dMig
 25 x 30sm = 1 dM. cbBateRKagBmGikRtUkareQl 4 dMedl manTlhm

3 x 3 x 25 sm .



20 x 40Sm = 2 dM



20 x 20Sm = 2 dM



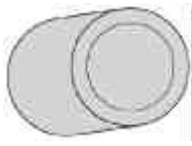
5 x 10Sm = 4 dM



25 x 35Sm = 1 dM



eRKageQl 3 x 3 x 25 = 4 dM



Taya PVC 4.5 Gg / 11.5 Sm
 nig beNpyRbEvg 30 Sm



exA³ TMMB mm RbEvg 27 sm chh 4 edm
 k,al eLasli 16 RKab;



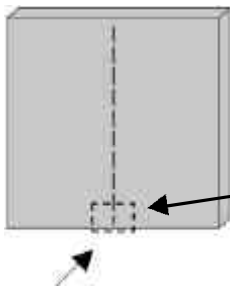
rebobet Bm<

karerobcM~~F~~atu

CBadyBmK~~V~~20 x 20 sm

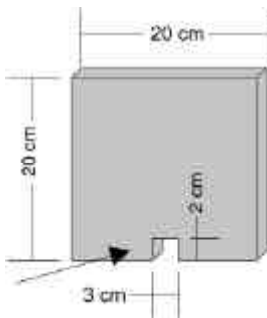
RtUBhitüemll eGayc,as;l as;fa eQEd l bmgng katmkeFBmkt UmankMas,sKä .
 kürgüsRbGbBmenHeygerbeQEd l mankMas; 2 sm . eQITadjenahrTVOQsépéGayesli
 edm,bFBmeGay)an l Slt .

- 1> KtExSbnat mlyedayeRbrNa nigRb l ak . eF~~W~~d KächBaHbnHeQmlyeTot .
 KtRbGbmYenAEpikxagerkamEd l mankMas; 2 sm nig beNpy 3 sm.



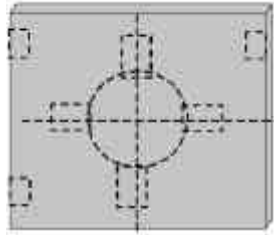
2 x 3 sm

- 2> katRbGbenalHedayeRbrNa nigRb l ak . eF~~W~~d KächBaHbnHeQmlyeTot .
 \ l VenHGkeF~~V~~anCBadRbGbBm~~t~~bGpSgEbbenH 2 .

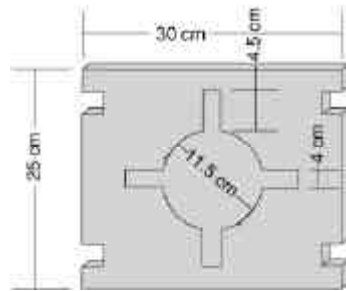


Epikxage I

1>yke QITM 25 x 30 sm m y d m . Klen Ae l e p t Q b t b g a j k i j r b P a B x a g e r k a m .
s t h e F k a r v a s e G a y) a n h j t c t ; e b m i n d e c h e T B m k b s G i k m i n R t m R t U e L y .

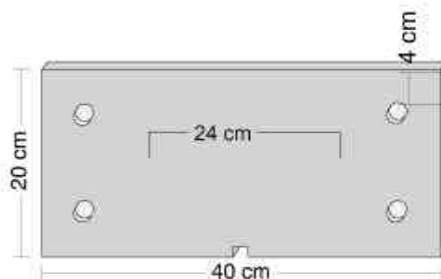


2>kat; tam K M S E d l) a n K l e n A e l b o n t e Q e n a h . G i k R t U e R b r N a R b e l o k n i g j j u
e d m , k a t k p r e n H . c h e m i l j b k r N E d l R t U k a r e R b e n A R C g x a g e q u T 1/2 .

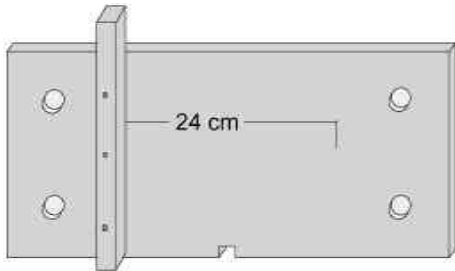


CBatj Bm < 20 x 40 sm

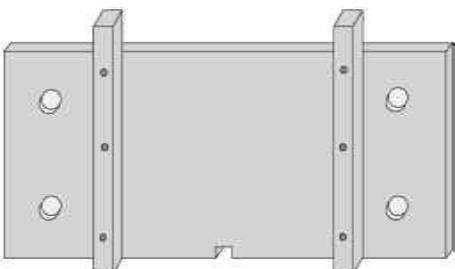
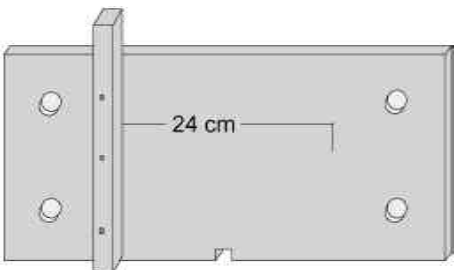
1>\ I U e n H e r o b c h e Q E d l m a n T i m 20 x 40 sm . e r b e x p e d k t b d t b g a j k i j r b P a B x a g
e r k a m . G i k R t U e F y a g N a e G a y T i t a j R b e h a g T a j G s m a n k m t n i g T i t a j d t K a 2 .



2> cabepnecaHRbehagedayerbRbdabxlg . edm,eGay)anRbehagdtKä GikRkan;
 EtcM gBRbehagmkyeTotbaNÄH .



3>dakeQBRKag -TMMB x 3sm! enAel ExSontEdl)anKd . vayEdkeKal Pab;
 eRKageTAngbnikpredayRbgRbyzn . ykl GikKyxgrnSinnungvayEdkeKal
 edm,kMGayerbH bebkkpr . cdeFidKäcBahlbnikprepSgeTot .

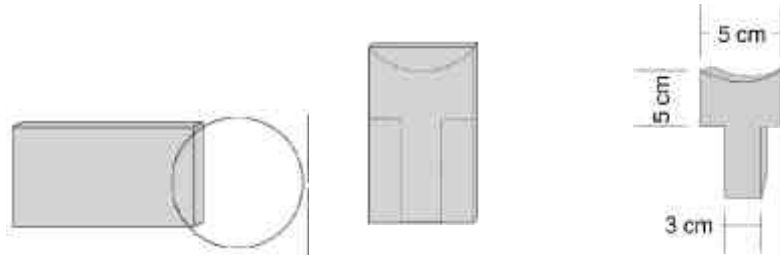


Gikngp l it)anCBaakBunay
 ddbgaj kgrbPaBenAxageqg

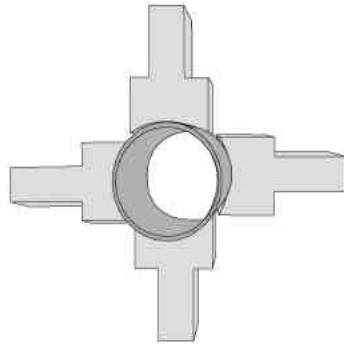


EpiknH

1>erobcMOTM5 x 10sm . Kbdtrbbgäj Cbxagerkam erbbBgC½ PVC CaKW edm, KdCaragcMnitRBHex ehlyKdbntxagerkamcMnitRBHexenH .

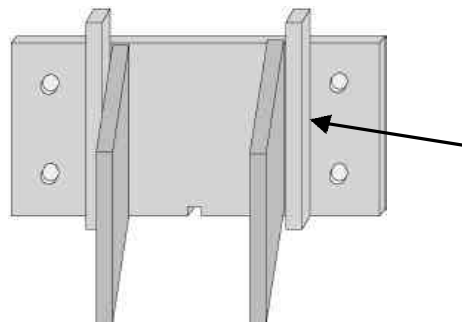
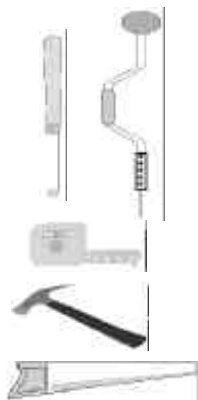


2- kat; j cbcgcaffa ragEd I)ankat;TajenH RtUsKängbBgC½.



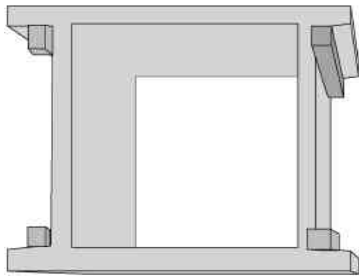
rebbtMLgBm<

1>dakbnHkprEdI manTm20 x 20 sm eGayTI mxKäenAEpkxagkjgeRKageQlenAeI I bnHkprTm20 x 40 sm .



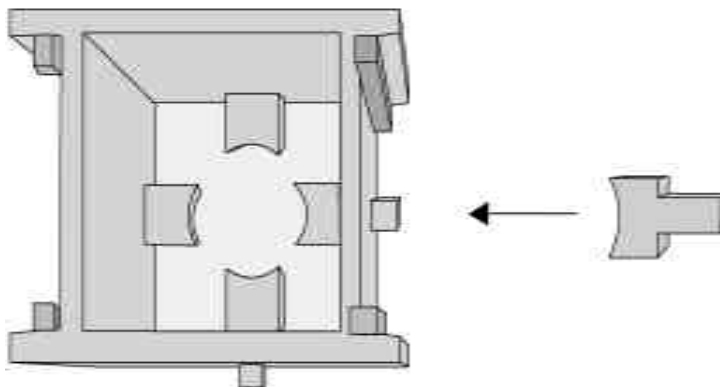
erKageQlenH KWbCa] bkrN_smbbITPt

SAMAKI STOVE

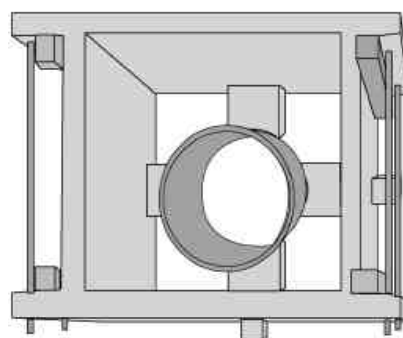
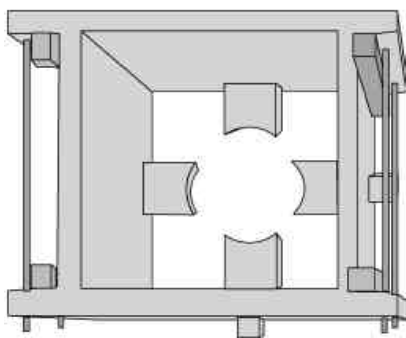


1- UenHGkeFDanRbGbBmaly .
cteFltamkarENnaldnpTot .

2- tMLgbnRkprTAN6 x 10 sm BBRkamRbehagenAxagerkamRbGbBm<



3- Bnitüemll RKbEpkrbsonRkprTaldGs; . RbsinebmanbnRkprmy bBr minRtU
eTAngBm<GikRtUbitPttvanngritexAeGayENn . enAeBI EdI EpikTaldGs;
bitPitGsehly enAeBI enaHGkGacntRbGbenahENn)anehly .

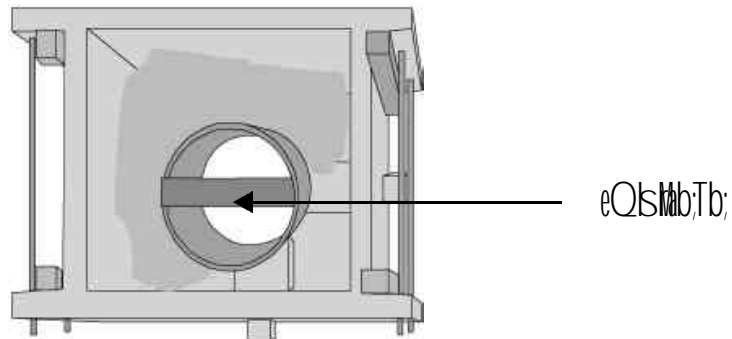


4- ykmaeL tritbnRsin rcehlydakbBgCK PVC eTAKüRbGbenah .
ctemll rPaBxagel l .

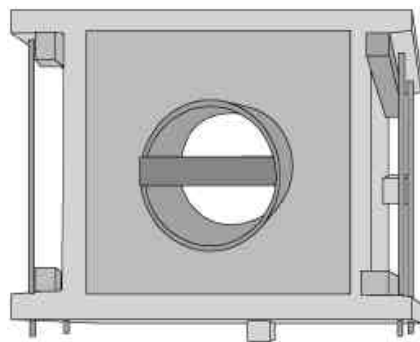
cakvtFatbBj Bm<

1>eBl enHeygcakvtFatidl)anl aybBj kogenah . GkRtUeFVyagNaeGayvtFatu
-dbllk belndshah; manrcCaeksc . sthemll karl ayvtFatu

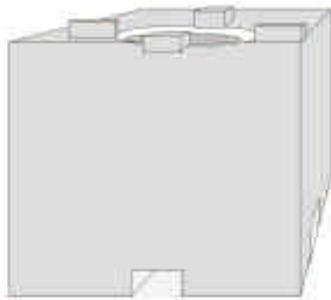
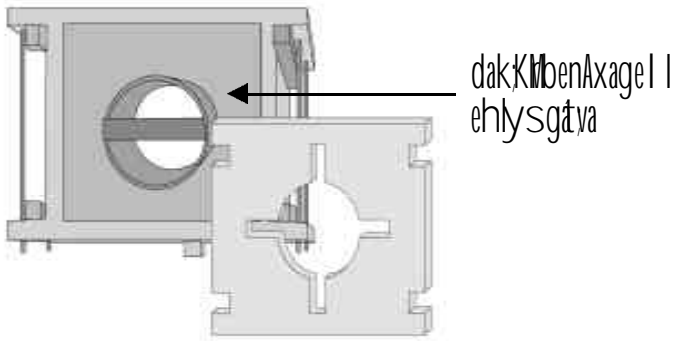
kNtsMal ;³ GkGacbenh blegnsmasPaKepHeTAKgvtFatusMab;
eFvBgEpSgenH . edayerbismasPaKepH 10 = dndae1 eFvdenH
bBgEpSgrbsGkmanTmRsal bnj . kNenGkRtUR)akdfa dndayk
mkerbmanKNPaBI ¥.



2>edm, kNGaydsH CabngBmGkGacerbRkdascas;²RTabEpikxagkgbrsBm<.
RCI kRkdaseGayeshm rcbiTPaebetAngCBadRbGbBm< . cakdlU eTAKgBm<
edaymanbBgC_{1/2}PVC enAcM Npl . emll eGayc,asfabBgC_{1/2}PVC BitCaenA
cM Npl . edm,eGaygayRsll CagenHeTaeTot GkGacdakeQkat;TTgRbehag
bBgC_{1/2}enH edm,CyTbeGayhng . cakbBj dmyRsTabmg² edayykkMnat;
eQvayeGayENn . GkRtUvaybgabedayerbkwll abjxat² EtRtURbgRbyzn .
GkRtUcakdill HRTaeteBj Bmenah .



3>enAeBl cakdbbBj BmenHrcal ehly dakKmbenAel RbGbBmenH ehlysgtva .
enAeBl ykBmecj Gikng)anbBgEpSgmYdckgrb xageRkamenH³



sthCYertkGr \ l VenHGikpl it)an
bBgEpSgmYehly . yagehacNas;
GikRtUmanbBgEpSgEbbenHcMh 9
edh,eGay)ankM adbbxü l RKbRkan; .

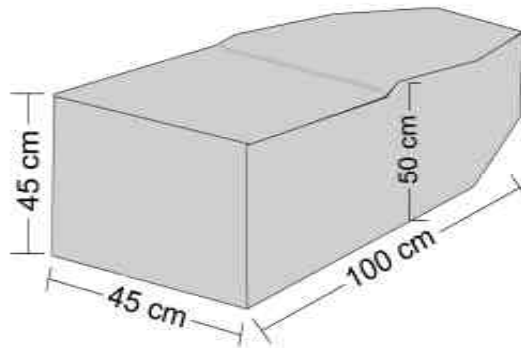




karecorc[®]gán

Bnitüemll eGayc, as; fa c[®]gáns[®] l mGacecor) an ebhndtcheT c[®]gánngEbk .

 RtÜBhitüeGayc, as; fa t[®]gánrbsGks[®] l mGacecor) an . RbshebGkcecor c[®]gánenAeBl vamans[®] PaBesmeBkenah t[®]gánminngmaM pnngeRbR) as; eLly . CagenHeTAeTot vabN[®]l eGayc[®]gáneRbH bkZacEbkpg . müagvij eTot Rbshebt[®]gáns[®] Ebk b[®]geBk Gk[®]mankar l Makk[®]gkarecorva . Gk[®]RtÜBhitüemll Caerogral é[®]ft[®]t[®]gánrbsGkGacecorva) an bminTan) an .

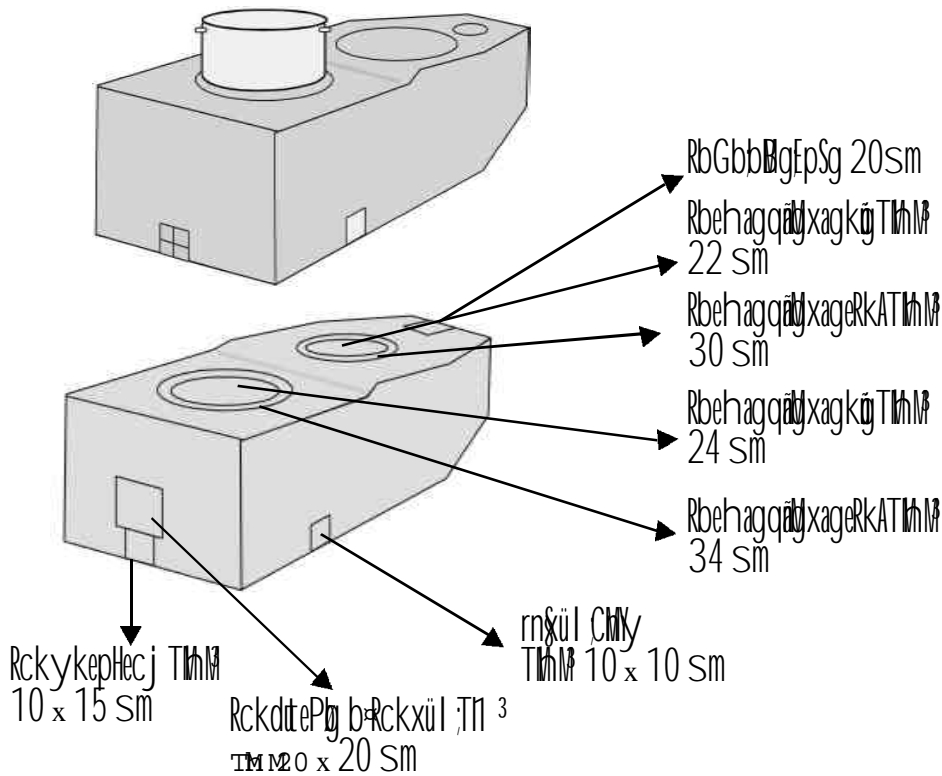


c[®]gánEd l eFkarvasxage l enH K[®]at[®]m[®] c[®]gánenAeBl Gk[®]kykvaecj BBm< T[®]m[®]gán xage l enH GacmanT[®]m[®]sBc[®]gán 1 b=2 sm . vax[®]sKä B[®]rBaHs[®] PaBs[®] N[®]mrbsc[®]gán x[®]sKä .

T[®]m[®]gánxage l enH Gac[®]r[®]maDenAeBl vas[®]EmnETn . c[®]Gk[®]mitK[®]B[®]T[®]m[®]gáneBk . c[®]byk cit[®]tk[®]dkk[®]gkarvas; T[®]m[®]l RtÜecorc[®]gán CaBesseBl katRckdteP[®] RckkykepeHecj rn[®]sül C[®]M[®]ly nigRbGbdteP[®] .

edARbehagdakqatj

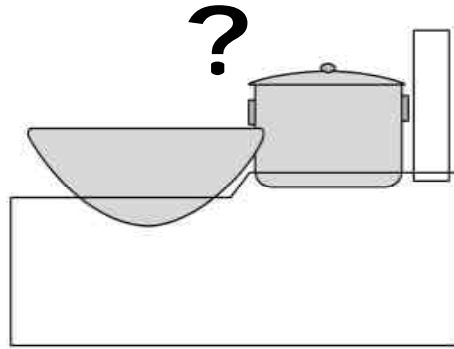
1> GikRtUedARbehagdakqatjenAel Itc'ganmngcorva . eRbktikaditkijkarKts
 sMal ;Tihmaly bxp rCgikRtUykqatjxp bSPar³eRbkijpH)ayepSg²eTot
 EdI GikeRbsMbcInGaharCaerogral ef'edm,KtsMal enAel Itc'gan . tam
 karENnaTihmaly KmanGgatpRbEhI BI 22 eTA 24 sm sMab;TihRbehag
 qatjxagkij nigmanGgatpRBI 30 eTA 34 sm sMabRbehagqatjxagerKA .



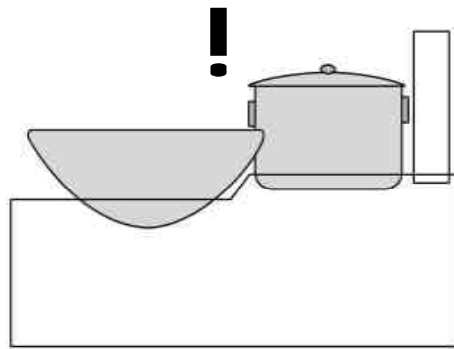
2>enAeBI eFkarKtsMal cGayrvagqatjTajBr cBnitüemil cGayrvagRbehag
 qatjTajBredaydak,SPar³cInGahardFmtrbs,Gik edm,waseGaydugBcGay
 rvagRbehagqatjTajBrenH . meFüa)ayc% bptenaH KntVerbqatjmly nigxHmly
 rinKäenAeBI Etmly . Bnitüemil fa etkH nigqatj manTihmUKäedaymin manbHKä
 rWancenaHRKbrKanrvagqatjTajBr . ctemil rPaBxagerkam .



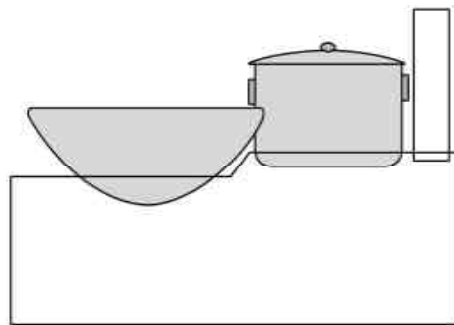
SAMAKI STOVE



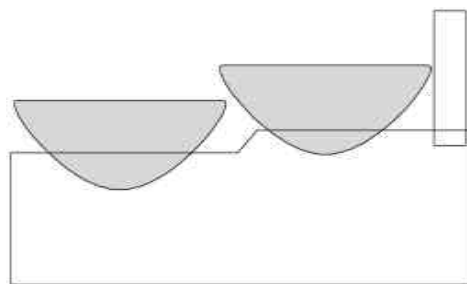
etIGikKitBlcMgayrvagqatgTalgBlrlpn
RKbRkan;beT?



enAeBl eRbqatgBr minCabBaæT ctebeRbl
qatgmY nigxlmY etmanbBaÿyagNa?



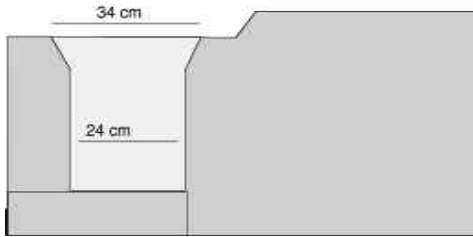
clæCakarI NAs; EdI eRbqatgmY nig
xlmY edm,KUsMal cÿayénRbehag
dakqatg.



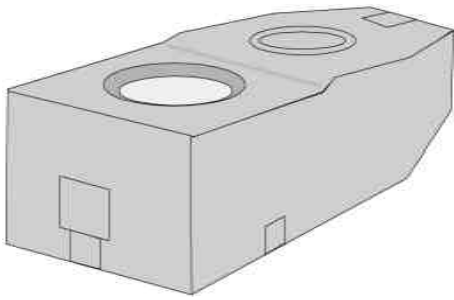
clÿyagNaædr ebeRbxHBrl? clKitemil fa
etISMar³pH)ayGVEdI GikeRbIsMbcKIn
Gaharral éf¶.

karecorRbehagqaldxagm

enAeBI Gik)anKbTlMbehagqald nigbBgEpSgrlral ehly GikRtUbnitüemll mgeTotBclJay
 rvagqaldTalBr . GikGaccabepncorkatRbehagyagRbykädayerBkklkalbit .
 enAeBI katecor GikKYBnitüemll fa etdNdenAxagkigtGänstl mehly benA ? .
 RbsnebmTansTstshpalkkarecorsh ehlyrgcally3eBI mlyéfTtot . edm,ecorRbehag
 cGáneGaykanEtRsl enah GikKYI abkalitnigTikeGayeshm .

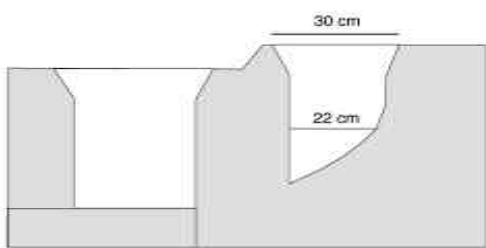


ecorRbehagqaldxagm rht
 dl dldca.



karecorRbehagqaldxagerkay

enAeBI GikbBaSkarecorRbehagqaldxagm ehly GikRtUecorRbehagqaldxagerkay
 mg .



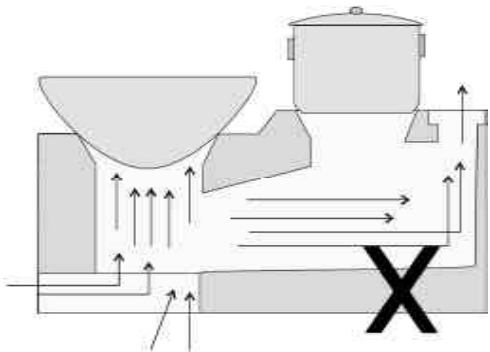
ecorRbehagqaldxagerkayedaymanTlM
 GgtplRbEhI 22 sm ehlymatRbehag
 TlM30 sm RtUeFRbehagqaldenHrag
 stl B)atRbehag rhtdl Epkxagerkay
 edm,tGaynaG Np tePly nigkbacll kigqald
 -sthemll rlpabI .



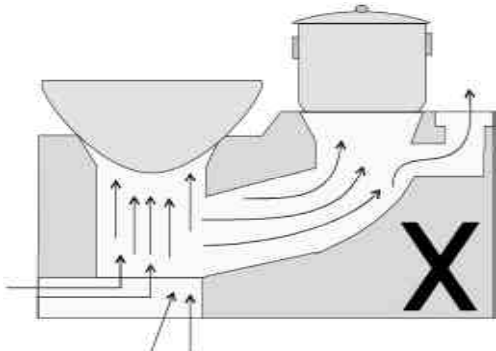
karef (s) ad

t haTrbssn) ad KwalykGNptePynigkMABRbGbePjemeTAKanqadaxagerkay .
 Etsn) adkzant haTCarbdabsMabkarBark(Gay)atbgkMAtamry³bBgEpSg ehlyrkSa
 kAenAxagkRbGbePjenah .

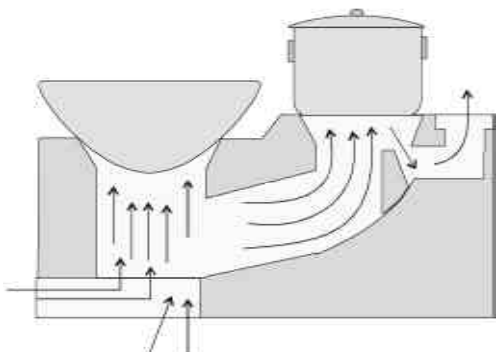
rbPaBxagerkamenH bgaj BfisedAkMdenAkRbGbePj ehlyBrebobEdI sn) ad
 dNrkaredm, Gayc ganmanRbsitPaBeLg .



c ganenHminEmnsn) ad ehlycgnPabBqadmy
 eTAcadmyeTotragst .
 → karbgüxl ; nigGNptePjenAepkxagkRbGbePj Kwagkat;ambBgEpSg KankeAeTA
 kanqadedaypa eLy .

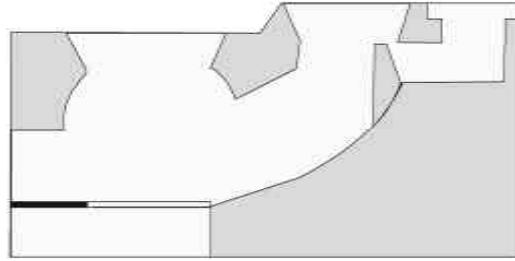


c ganBmansn) ad eT EtcgnPabqadTadBr
 manragCtaI .
 → xüI ; nigGNptePjenAkRbGbePjmantict
 ehlyhdeqateTAKanqadaxagerkay kZEnpA
 EtmankMCAerch)atbg;amry³bBgEpSg .



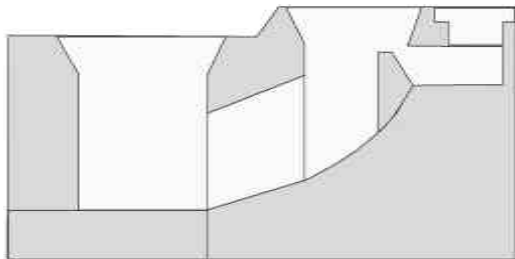
c ganenHmansn) ad ehlymancgPabrnsad
 TadBrragCtaI .
 → xüI ; nigGNptePjenAkRbGbePjht
 eqateTAKanqadaxagerkay ehlykMArkSatk
 enAkRbGbePj .



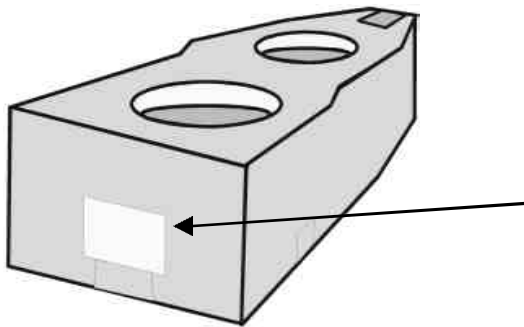


.GikGacs;snH)aldBldMdzan; rW\nda.
 kBsrb;snHxül mankBsesngcg
 Epkxagel rbsbBgEpSg .
 kBsrb;snH)aldcgBbgEpSg KWab;Tak;
 TinKæTAnvgkBsenbBgEpSgrbsGik .
 cbeFkarEk l GxlnUsnH)aldcgÜ nigbBg;
 EpSgenAeBl GikRbcgan .

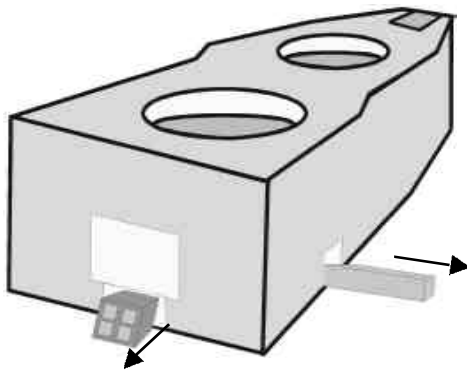
katecalrn&ül ;Tl1 nigrn&ykephecj



mneBl GikykdMdzaj BkEngcgÜkayepH
 ecj clGikecorRckdtePly bñ&ül CMYCa
 minsin . kareFVbbenH GacCYeGayGik
 gayRsl kngkarykdMdzanhecj . ecorRck
 dtePlyTlM20 x 20 sm -clemil rbPaB' .

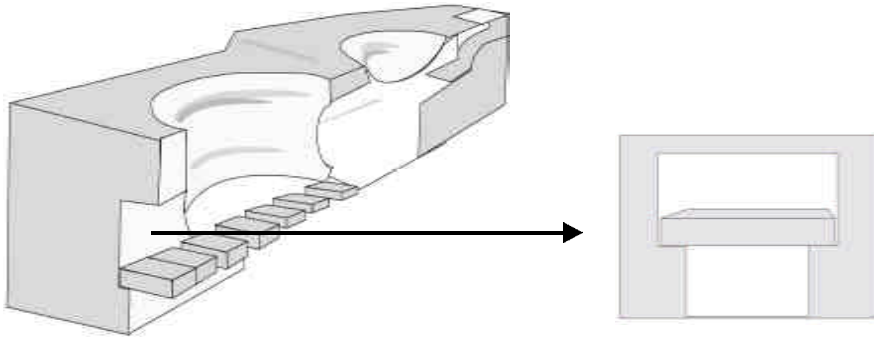


RckdtePlyTlM20 x 20 sm . enAeBl Gik
 dak;dsHabeFVcARTnabenAeBl enah kBsnng
 fyctH 5 sm RbEhl beNhyfyctH 5 sm
 Edr dtePlyTlM20 x 20 sm -clemil rbPaB' .

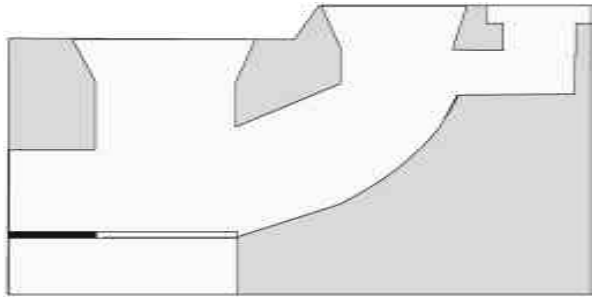


enAeBl GikbBaSkarkatecorRbehagxül ;Tl1
 clGikykdMdzarWmeQecj BixageRkam
 tlcgan . \l VenHGikpl it)anrnbgÜephecj
 nigrn&ül CMY .

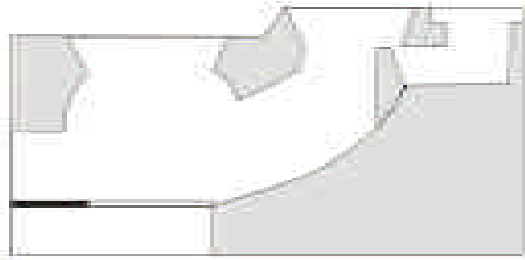
SAMAKI STOVE



ecorRbGbcWnH



edn,eGaymanctnHl YcbGkecor
RbGbcWnHcWgeGayFlnp .
cbeFRbGbcWnHenahmanragCa
RkLa. ctemil KlltragBgRkeBl
enAkjrbPaB .

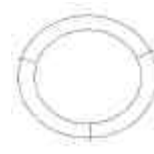
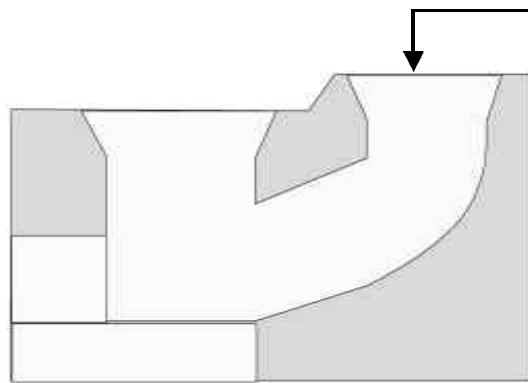


enHKVakMnldcigeRkayrbs;
c@ansamKldl manbBgEpSg .

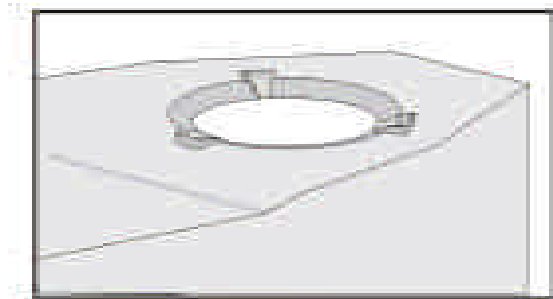


Carakan Kambing EpSg

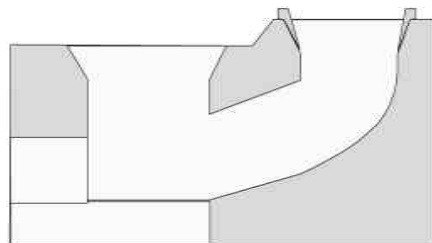
Carakan samKadl)anENnabhaH KManbBgEpSg . Rbsnebmaneh tpi NamYEdl GikmncgdakbBgEpSgeTenah]TahrN_dltCaGikRtUkarkbBA bepSgBcCaran edm,hal slgt GlnYenah GikRtUeFltamkarENnabdl BBNhadlxagerkamenH³



KtsBdragRtekaNstmb,CaTitadTlqad dtkgrbPaBxagel enH .

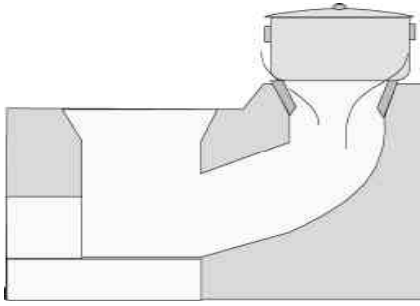


kts:ThqadmnRtUeGayxsCag 2 sm eLy ebmndtcheT ngman)at,bgkBA erch .

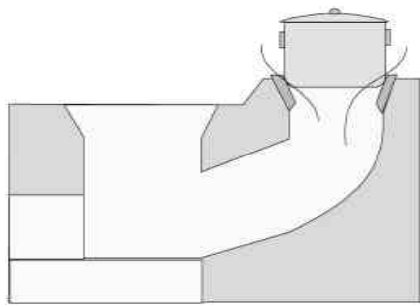


daks:mbRbdab,ThqadB)aténCkhal mk . RbehagenahngmanThRtUngqadttt bepaj FMyan .

SAMAKI STOVE



qab Fmg sifen Ae I T M qab eday sifen ABkag
e l R behag qab xage R kay



ce Bal qab t t
qab ng l c p t c u k q R d ab; T M qab b n c



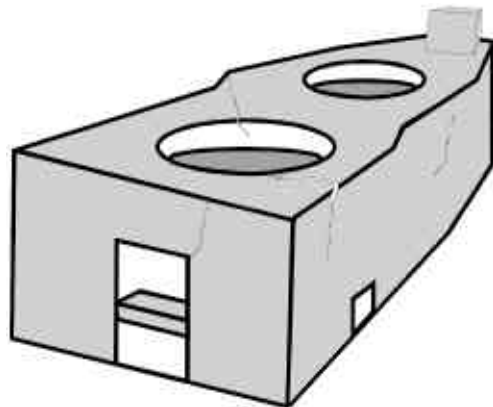


karhal c[®]gán

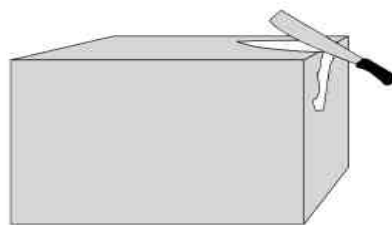
cbkMaceF#GaymansämeRbHF# mmeBI GikC'5Cil bHbUva .



eGay)anI T\$ I I ¥Tkk[®]gáneGaystüBI 3 eTA 5 éf#sín mnnqcabepñ
dtCadlly . kúeBI hal nqmansämeRbHel ceLg . sämeRbHGac
bN q mkBvtBafdl l ay mál ¥. GkRuv bHbU#sämeRbHenal .

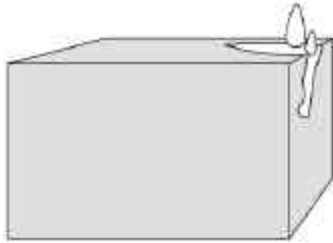


Bñitüemil RKbTKEngenAel Itc[®]gán
edlm,tkemil sämeRbHedI Gacman .

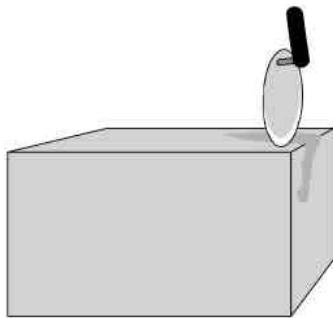


ykkadit b#abRbal aysngt_EhkEj k
sämeRbHenH ehlyykTikmkI abkEng
eRbHenHeGayestm .

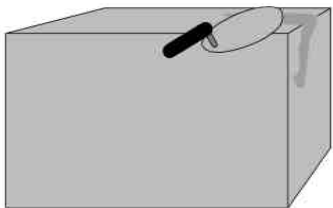
SAMAKI STOVE



efiGaysämerbhenhesm Et kRbTikercheBk KW pn
efiGayeshépeI énsämerbhenaf)anehly .



ykvTfatdEdI)aneRbkj kareFitc®janmk)atbh
kEngerbh . bBj sämerbhedayvt fatucterbkadit
bsRbal aysingt_ebsinCacaMac; .



efiGayépeI kEngEdI bhentheGayrel ag
ehly TikvaeGaysü .

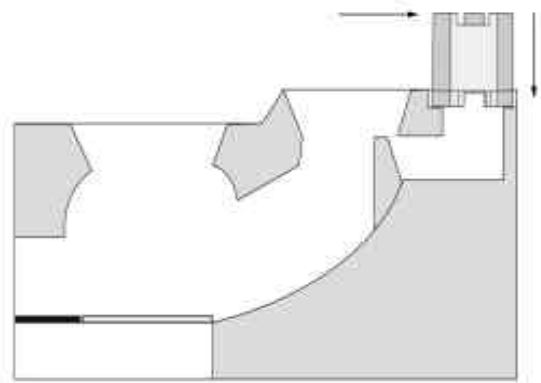
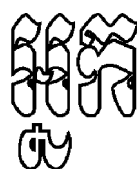




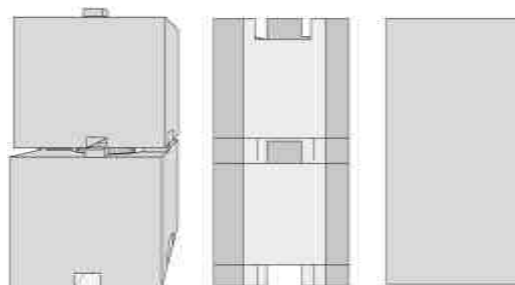
kart MLgbBgEpSg

ykskkFgnNarabmkeFcaKmbBgEpSgebmindbcheT GkRtUcMlay
 luyTij sgkfykmeFKMb .

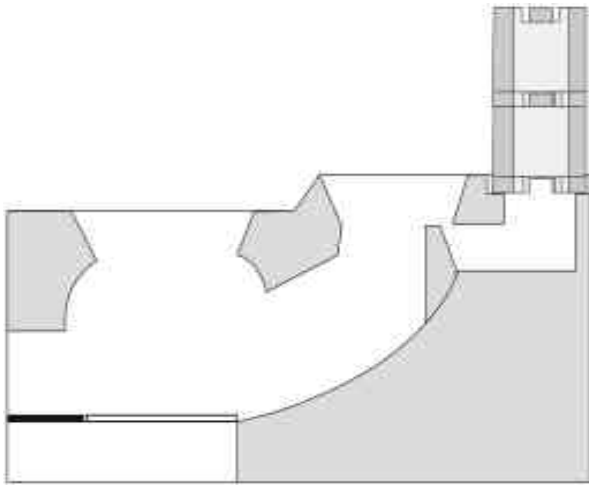
RtURtBhitueGayc,as:lasfa ttegan nigdMNatbBgEpSgBitCasmmB
 GktMLgbBgEpSgmkel ltegan . RbsinebitteganminTansuEmnETnenah
 ctkuayamdaKbGbbBgEpSgmkel lvaGlerBahvanabGaytteganrbsGkRst
 bel . enAeBl ttegan nigdMNatbBgEpSgst ehlyGkRtUeFitamdNak;
 kal ddtteAenH³



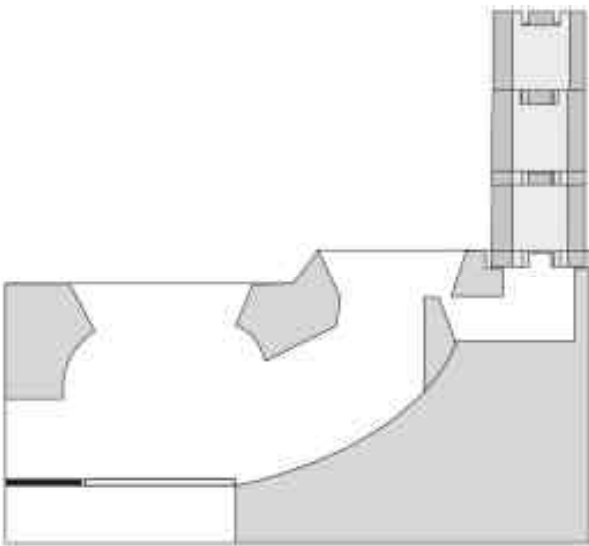
erobcMteFatndda ayedm, bit
 PabMNatbBgEpSgenH Titad
 bitPab; KWAepkxage l l .



bnpl kMNatbBgEpSgTBr . ctkPabit
 PtsamPabKavagkMNat;TadBr bnbbmk
 eFitGaykEngtPabKrenahrel ageslsac;
 -ctemil rBPab' .

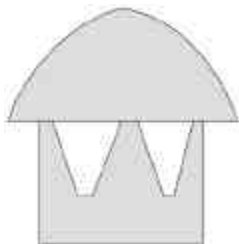


bnPab;kNnat:dWBgEpSgenH
yagehacNaseGaydl dM9 .
kBs:bBgEpSgKYEtmanKBS;
1>7 eTA 2 m . kNnPaGaRsy
eTAtamkBSdWU pRbsGik .
cUkPc)atPtSammxtNrvag
kNnatWBgEpSgnimly² ehlyeFVa
eGayrel agespsacka .



KMbBgEpSg

KMbBgEpSgmanthaTkarBarbBgEpSg b*E ganKGayRtUtikePog . ebKpnKmbE
enArdUvvsSaTikePognyFakcU tambBgEpSgeTakanTtEgan . cEganEdI manKMbBgEpSg
GaceRb)anytiCag cEganEdI KpnKMbBgEpSg .

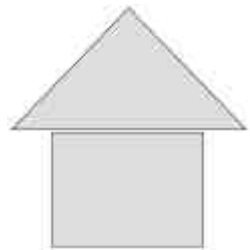


KMbBgEpSgEdI bgaj kurPaBxageqVed
KWaKMbBgEpSgeFbdl . GikGaceGaySpH
knqdy eKmbenHeGay)an . tEil eFKmbEbenH
mantEil eFakCageFBSgEchNas; .

SAMAKI STOVE



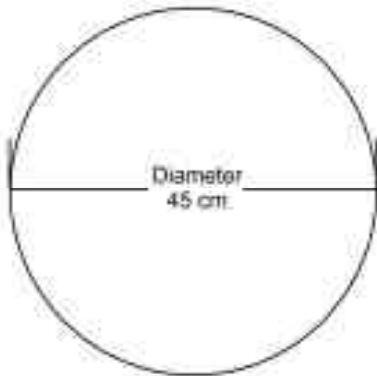
Klobb EpSge Fbdman BrEpik Kkomy nige CgRTmly .
 ctkPcecaRbehagmny kvaeTadt . RbehagTajenah
 eFIsab;PabKavagEpikTajBrenH edayerbExSI smkcg
 Pab; .



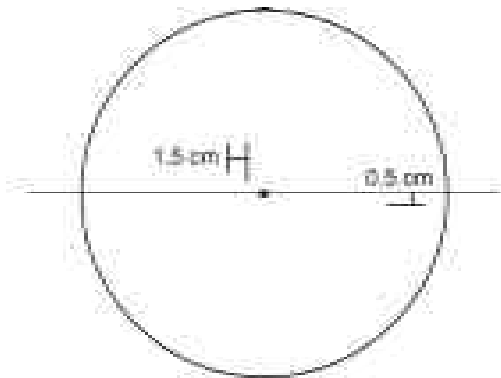
Klobb EpSge EdI eFIsge Ismantill efCagKlobb EpSge Fbdl.

vFIsaRspSgeTot KlytgGaceFKlobb EpSgenH BbnHel ah³
 EdI Caskkkkg bsbkFgnM.

rebbeFKlobb EpSg

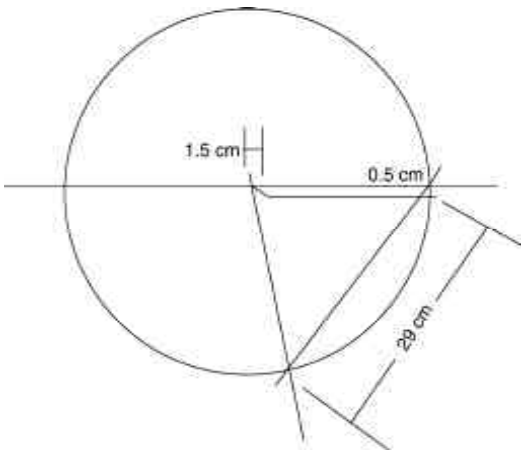


KsrgtmyEdI manGatpit 45 sm enAel bnh
 sge el bnhFgel ah³EdI erbt . katrgjenah
 edayerbkeRnkatek .

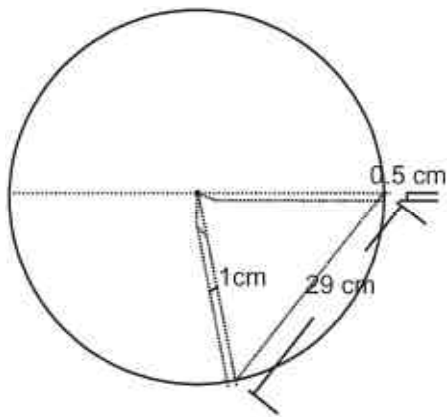


KlonatmykatcMnpl rivasBcINckNpl enah
 0.3 sm rKlonatRsbkamly -ctemil rPaBenA
 chogxageq; . bnhTth10.5 sm enHKWab;Pab;
 eFcaKto .

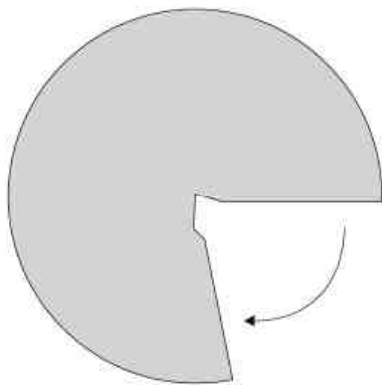
SAMAKI STOVE



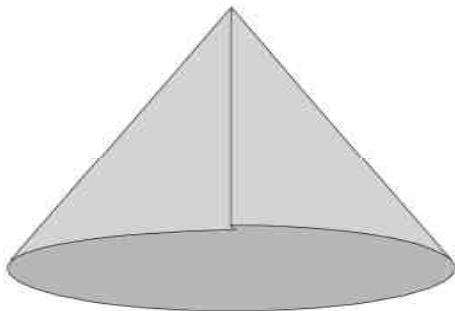
KlsbnatmYEdI manRbEvg 29 sm
-emil r0PaB; . KlsbnateGayecj Carag
RtkaNenAcNpI rgt; .



stkh0PcKlsbnatbeBajRbEvg 1 sm eTot
edm, eFCasntSmbPabenAepkmegeTot .
sthemil r0PaB .



katbnatEdI manragRtkaN enAeBI enaHGk
ngTTY)annUr0PaBdtr0xageq; .



mtSg;eGaymanragCaekaN .
enHKWakMb;gEpSgrbsGk .

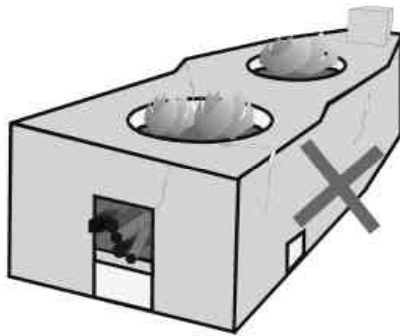


kardit eI kdlly

GGePly t'c 2 enAxagkñ RbGbePly edm, eFKardit CaeI kdlly .



eBI Gikcabeppmerbc 9 an samKIdl eTbEteFInH GikKveFKardit va Cadlly sh edayeRbPly bnpcbaNñ . cdkRbPly ddc 9 aneRbFmpta { dlcCac 9 aneRbIsMab; GaljsacenaH} ebmin decaHeT c 9 anrbs, GikngveRbHEbkCamixaneLy .



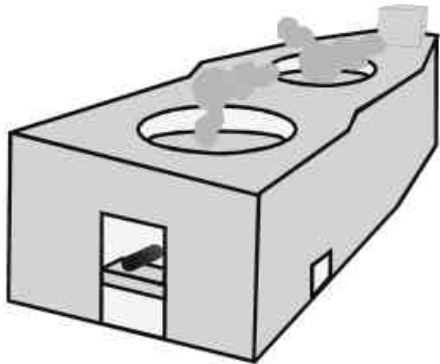
kardit dly genH KladNakkal sManmly EdI GikKveFInmng GikRbc 9 an . ehtGInCaeylg calyaceFKardit Cadlly dech? kardit dly genH KManthaTkñ karkat bnly karpHEbkeday sarkMA bkarrly Rstrbs dñ da. eFKardit CammenH PaBry Rstrbs, t'c 9 anmankM t'c t'c .

rebodit dly

rebobeFKardit CaeI kdlly genH KWmptaddeI GikbgatePly dteFKarcGInGahar ral eFñdr . PasaxsKaenaH KVRtUeRbGis bñtEfat dñ bnpcbaNñ . meFua)ay dñ bñttenaH KRbPly bñuñ EdI bnSI BKarkat bñbs, GikCamlyc 9 anEdI GikmanRsab; . cdkRbPly bñenAel t'c 9 aneGayesaH . TkeGaykMARsbyksñ menAkñ t'c 9 an

eGayGs; . GkGaceF7lobenHry³eBI BreTABef7mmeBI GkicabepmeRbc[®]gán . enAeBI
t7c[®]gáns7I mehlyenaH c7Gk7Büayamdtc[®]gánedayeRbGisbnc[®]sin . c7k7Rb7P7g
x7deGayesaH .

enAeBI dtCaeI k7d7c[®]gánngbeBa7n7EpSgBNex7 BeRbaHt7c[®]gánenAetman
s7N7m -k7tesmenAmanekch; . k7geBI dt7d7genH Rbsnebc[®]gáneRbH c7Gk7b7H7wa
dtEdI)anBnül bgáj k7geBI hal va .





karBnitüemll c[®]gán

etc[®]gánGk[®]dNrkareTA)anI eT ? cbeFitamkarENnaMagerKamenH
Rbsnebgk[®]mínR)akdfa etc[®]gánrbsGk[®]dNrkari YbminI ¥?



eBI c[®]gánrbsGk[®]rcral sMaberbehlyenaH K[®]hAeBI eFkardteI kTmkyehly
cdGkeFitamdNakkaI dteTAenHedm,Bnitüemll c[®]gánrbsGk[®] . dNakkaI
TaldGsenaH ngbgaj Gk[®]fa etc[®]gánrbsGk[®]dNrkareTA)anI YbminI ¥.
Gk[®]GaceFkarEkI d[®]xdenAeBI GkeFkarRteBnitüva .

karBnitüemll c[®]hH

enHK[®]dakarBesaFnd[®]samBathly edm,Bnitüemll faetc[®]gánmancaHnHI YbminI ¥.
cdcabepmdtc[®]gán . tamkarENnaGk[®]KyebGsBisCac[®]kr[®]rcral ; ehlyminEmnGsd[®]MA
enaHeT . cdGk[®]k[®]Pa[®]dakq[®] r[®]henAel Rbehagdakq[®]T11 . k[®]ry³eBI 5 eTA 10 naTI
bn[®]bBGk[®]Gc[®]PhelyenaH cdBnitüemll c[®]N[®]dteTAenH³

✓etk[®]dAGN[®]teP[®]geTadI Rbehagq[®]TBr beT ?

RbsnebmneTadI eTenaH RbEhI mkBc[®]g[®]vagq[®]TadI Br beg[®]eTAKanb[®]gEpSg
manT[®]m[®]deBk . cdBnitüemll karb[®]W[®]sb[®]kykrbsb[®]gEpSg . Gk[®]Gacemll eXij karb[®]WenAxag
el b[®]gEpSg . Rbsnebk[®]rb[®]minx[®]deTenaH ehlyb[®]gEpSgGk[®]mank[®]sdI eTA 2 EmRt
eBI enaHGk[®]RtUecorEp[®]kxagk[®]g[®]bg[®]nc[®]gánrbsGk[®]GayF[®]mp[®]eTot . Gk[®]RtUBnitüemll
T[®]tal[®]snH)adEdI naG[®]N[®]teP[®]geTAKanq[®]TBrpg . eFkarEkI d[®]xRbsnebc[®]Yac ; .

✓etGNpatePly cMhH, enAkjRbGbePlyenaHl YbeT ?

BnitüebcMhHedI manenAkjRbGbePlyem . RbsnebcGNpatePlyemll eTAddCaminsU
xatjeT enaHRbEhI CaRtUkarxül GksIsnbnEnnehly . cBnitüemll RbehagykepHecj
nigrnsül CMly cbeFVnsül CMlyeGayFmag . eBl manbBaäeklteLgCamlyGNpatePly
RbEhI Camanxül eRchcU eTAKjcgän . katbnByxül enAkjRbehagxül ;TlI bnnsül ;
CMly . RtUeFRbehageGaytbcagmn .

✓et)atqalybHngGNpatePly beT ?

RbsnebbHcdGkpasbpbksrbsqalybxteGayxsCagmnbnpc . vakZacbnpl mkBl
GgtplerbbsRbGbePlytcbk bkZakeRbGsercheBk .

✓etEpsgmanBNGV?

Bnitüemll Epsgecj BbbGepSg . RbsnebcEpsgenaHkpnBNGV ayLMTenaH
cMhHcganrbsGikI Nas; . EtebEpsgmanBNexpAeBl enaH cganenHmancMhHmin
I T . cBnitüemll FügenAsI bnabBkardakpog . RbsnebmansI Fügkerch ehlyman
GürgePlyerchenah mannyfa cganrbsGikmancMhHminI Edr . cBkRbgyRbyZpogEdr
eRbaltMhHminI begteGayman]sjkabdmlNGkstEdI maneRkalfakdI swPaBrbsGik .

cBnitüemll pgEdrnUKMtsMnMrbsGseDl GikeRbl RbsnebcMhHsmnMrbsGse
xsenah cMhHkänI Edr .

manktpCaercheTotEdl bgaGaymancMhHminI Ynman ³ RbePTvtSmbditkMArbs;
GNpatePly rebobbEnrvtbt karpl xül GksIsn TlMRbGbem nigcgänAkjcgän .

cgcal
cganenAetGacEKERb)anedaymneFVGayxtdl ;tcganeLly

karEfrkSic®gán

1>tt®gán

cdGikeFkarRtVtBnitüt®gánmmeBl cÜinGahar . RbsnebmáneRbH sthCYSÜil va Pám . etCYSÜil vadtempenah ? Sthemll enACÜkT19 .

2>bnbdtePly nigcgÜPab;

eFkarsÜatbnbdcmHedaykayepH nigFüðecj enAeBl erBR)as;CaBëSS KÜegÜPab; bnbdtePly nigsnHRTGs .

3>reNÄepH

eFkarsÜatephecj BreNÄepH . GikGaceRbR)asepHenHkigeKal bMNgépSg² dtCaeFÜkÜspds l agcanqÜEd l RbLakxøj ; . l .

4>bÜgEpSg

eFkarsÜatGMgePlyCabÜgEpSgerogral Ex . ebmindcäHeT bÜgEpSgrbs;GikngsH Camixan .

5>TÜqäÜ

Bnitüemll cenäHrvagTÜqäÜ nigqäÜ . RbsnebmancenäH enaHrtUCYSÜil va . minRtÜ eGaymancenäHrvagqäÜ nigTÜqäÜeT . dteHrtÜTÜqäÜrbs;GikCamYngTÜqäÜ dteHc®gánrbs; GikngmandNrkarl ¥.

HAPPY COOKING WITH YOUR SAMAKI STOVE

HAPPY COOKING WITH CFSP